

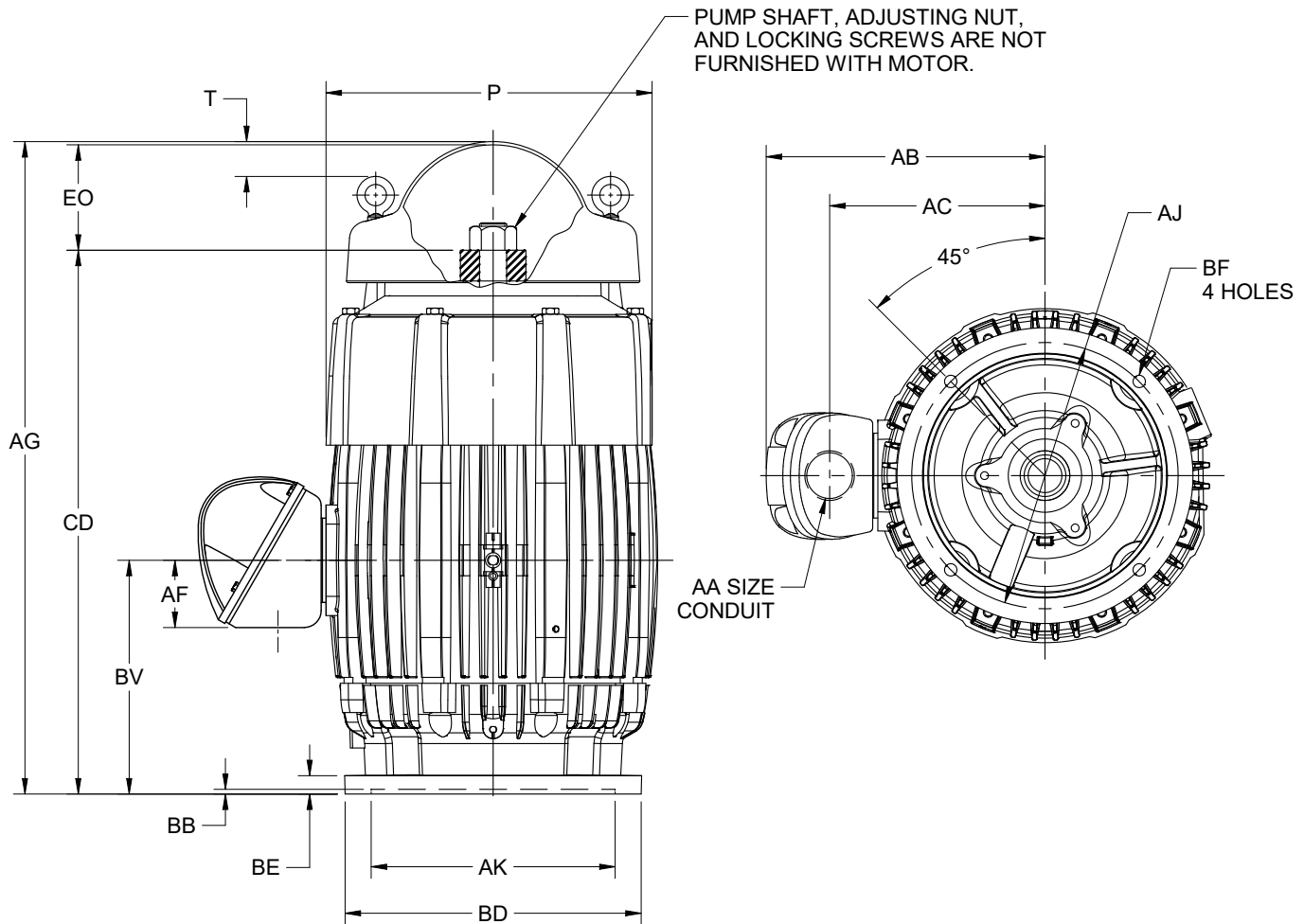
EFFECTIVE:
13-AUG-20

SUPERSEDES:
08-MAY-18

DIMENSION PRINT
TEFC - CORRODUTY WITH OVERSIZED O/B
FRAME: 280TP, TPA, TPH
BASIC TYPE: TUCI

PRINT:
09-3340

SHEET:
1 OF 1



ALL DIMENSIONS ARE IN INCHES AND MILLIMETERS

UNITS	P ²	T ³	AA	AB	AC	AF	AG	BE	BV	CD	EO
IN	14.75	-1.31	2 NPT	13.19	9.81	3.25	32.63	.91	11.19	26.56	5.88
MM	375	-33		335	249	83	829	23	284	675	149

FRAME	UNITS	AJ	AK	BB MIN	BD MAX	BF
284, 286TP	IN	9.125	8.250	.19	10.00	.44
	MM	231.78	209.55	5	254	11
284, 286TPA	IN	9.125	8.250	.19	12.00	.44
	MM	231.78	209.55	5	305	11
284, 286TPH	IN	14.750	13.500	.25	16.50	.69
	MM	374.65	342.90	6	419	16

- ALL ROUGH CASTING DIMENSIONS MAY VARY BY .25" DUE TO CASTING AND/OR FABRICATION VARIATIONS.
- LARGEST MOTOR WIDTH.
- (-) MINUS SIGN INDICATES EYEBOLT IS BELOW THE TOP OF UNIT.
- CONDUIT OPENINGS MAY BE LOCATED IN STEPS OF 90 DEGREES REGARDLESS OF LOCATION. STANDARD AS SHOWN WITH CONDUIT OPENING DOWN.
- TOLERANCES SHOWN ARE IN INCHES ONLY.

TOLERANCES	8.250 AK	13.500 AK
"AK" DIMENSION	+.003; -.000	+.005; -.000
FACE RUNOUT	.004 T.I.R.	.007 T.I.R.
PERMISSIBLE ECCENTRICITY OF MOUNTING RABBET	.004 T.I.R.	.007 T.I.R.

Nidec Motor Corporation
St. Louis, Missouri

INFORMATION DISCLOSED ON THIS DOCUMENT IS CONSIDERED PROPRIETARY AND SHALL NOT BE REPRODUCED OR DISCLOSED WITHOUT WRITTEN CONSENT OF NIDEC MOTOR CORPORATION



ISSUED BY
D. CISNEROS
APPROVED BY
E. LUNA

IHP_DP_NMCA (MAR-2011) SOLIDEDGE