

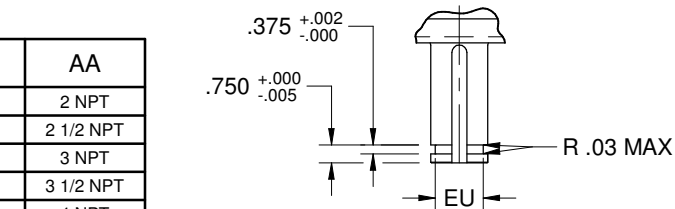
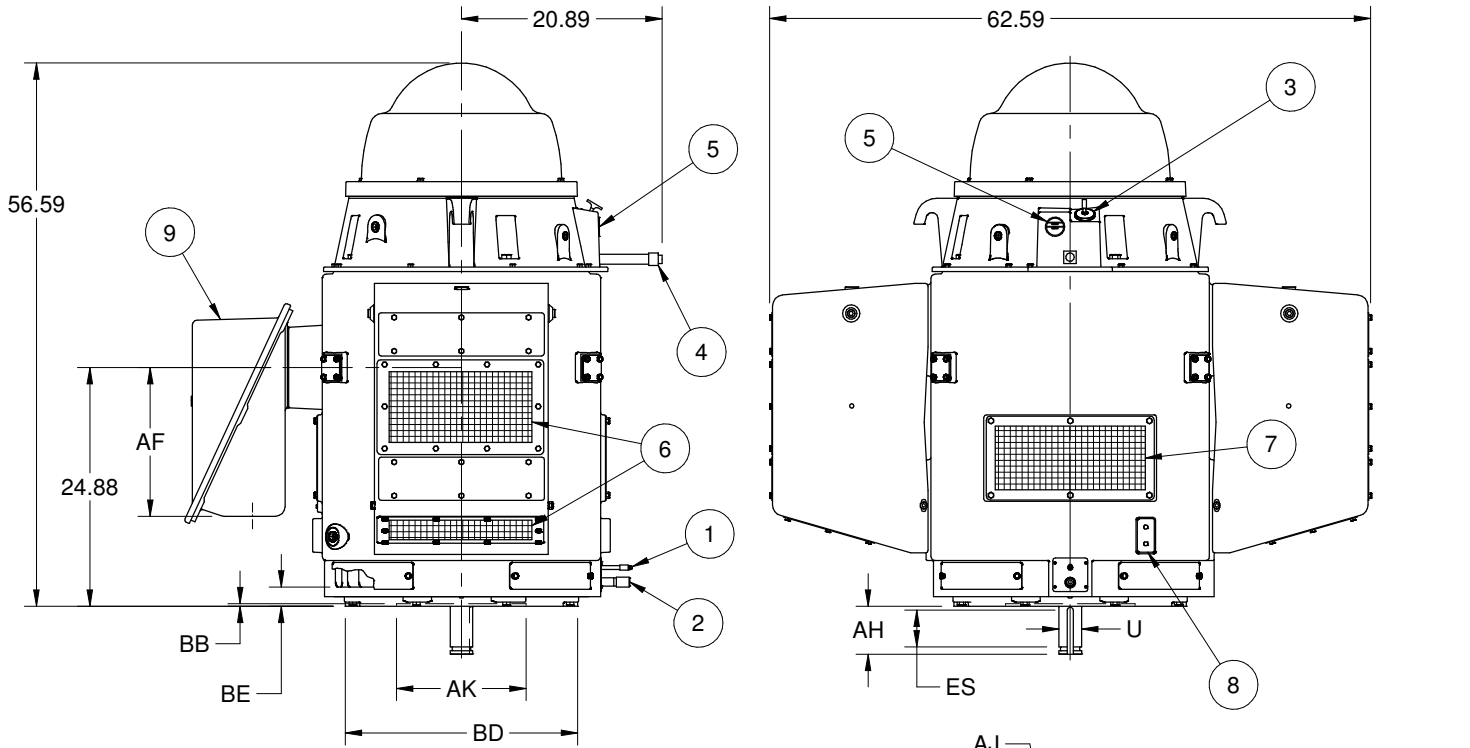
EFFECTIVE:
03-OCT-19

DIMENSION PRINT
WEATHER PROTECTED TYPE II
FRAME: 449VPH, VP, VPA
BASIC TYPE: RV4

PRINT:
09-3366

SUPERSEDES:
30-OCT-18

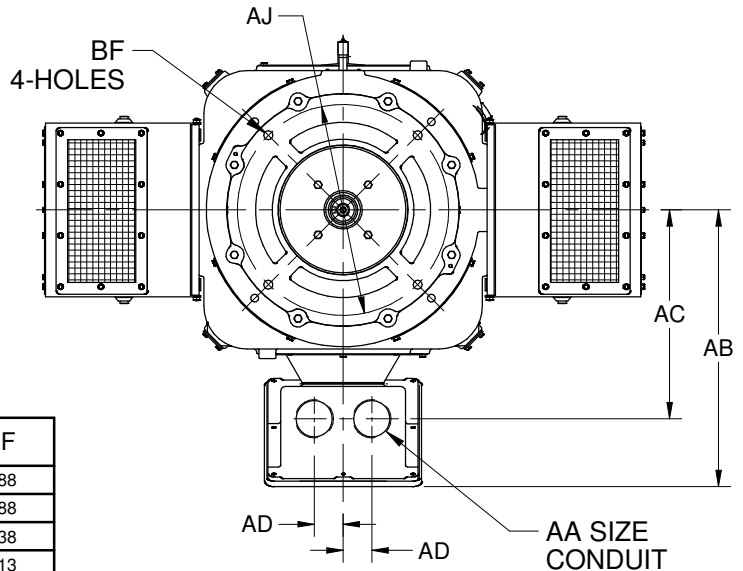
SHEET:
1 OF 1



AA
2 NPT
2 1/2 NPT
3 NPT
3 1/2 NPT
4 NPT

C/BOX VOLUME (CU. IN.)	QTY OF CONDUIT HOLES	AB	AC	AD	AF
2000	2	28.84	21.75	3.00	15.50
3400	2	33.44	21.75	3.00	15.50

FRAME	AJ	AK +.005	BB MIN	BD MAX	BE	BF
449VPH	14.75	13.500	.25	20.00	2.00	.688
⑩ 449VP	14.75	13.500		24.50		.938
449VPA	26.00	22.000		30.50		.813



POLE (RPM)							U	AH	ES	EU	SQ
	2 (3600)	4 (1800)	6 (1200)	8 (900)	10 (720)	12 (600)	-.001	±.062	MIN	-.005	KEY
	ALL	300 & DOWN	200 & DOWN	150 & DOWN	150 & DOWN	ALL THRU 100	2.125	4.500	3.00	1.750	.500
HP	--	350 TO 450	250 TO 300	200	150	125 THRU 150	2.375	5.000	3.50	2.000	.625
	--	500	350	250	200	200	2.625	5.000	3.50	2.250	.625

ALL DIMENSIONS ARE IN INCHES.

FEATURE LISTING

1	LOWER GREASE FILL	6	AIR INTAKE, 180° APART
2	LOWER GREASE DRAIN	7	AIR EXHAUST, 180° APART
3	UPPER SUMP OIL FILL	8	GRD PADS, DIAG OPP, 1/2-13
4	UPPER SUMP OIL DRAIN	9	MAIN CONDUIT BOX
5	UPPER SUMP SIGHT WINDOW	10	449P HAS TWO BOLT CIRCLES

TOLERANCES	
FACE RUNOUT	.007 TIR
PERMISSIBLE ECCENTRICITY OF MOUNTING RABBET	.007 TIR
PERMISSIBLE SHAFT RUNOUT	.003 TIR
MAXIMUM SHAFT END PLAY	.010
NON-MACHINED DIMENSIONS MAY VARY BY ±.25	

09-3366/A

Nidec Motor Corporation
St. Louis, Missouri

INFORMATION DISCLOSED ON THIS DOCUMENT IS CONSIDERED PROPRIETARY AND SHALL NOT BE REPRODUCED OR DISCLOSED WITHOUT WRITTEN CONSENT OF NIDEC MOTOR CORPORATION



ISSUED BY
R. KING
APPROVED BY
T. COLOMA

IHP_DP_NMCA (MAR-2011) SOLIDEDGE