

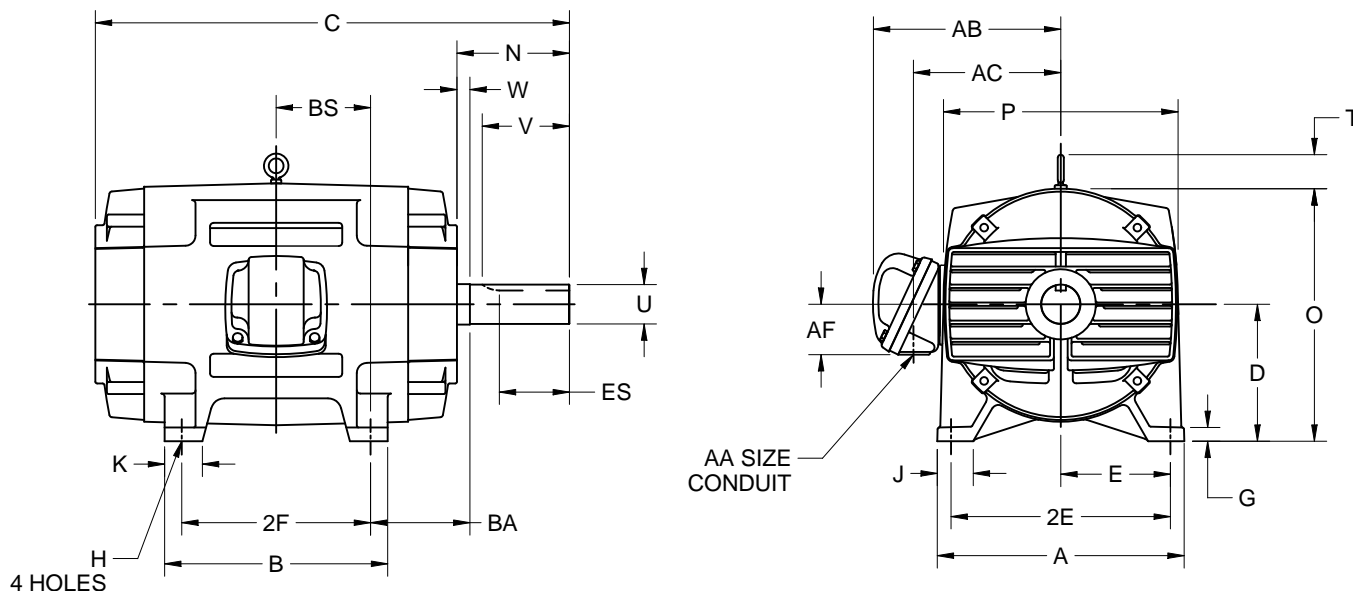
EFFECTIVE:  
05-NOV-12

SUPERSEDES:  
01-JUN-01

**HORIZONTAL MOTORS**  
W/SIZE #2 C.I. OUTLET BOX  
FRAME: 400TS  
TYPE: R, RE, RI, FR

PRINT:  
1003-1-14

SHEET:  
1 OF 1



ALL DIMENSIONS ARE IN INCHES AND MILLIMETERS

UNITS	A	D -.06	E	2E ±.03	G	H +.05	J	K	N	O	P <sup>2</sup>	T
IN	18.00	10.00	8.00	16.00	1.00	.81	2.63	2.75	4.50	18.81	17.63	2.47
MM	457	254	203	406	25	21	67	70	114	478	448	63

UNITS	U -.001	V MIN	W	AA	AB	AC	AF	BA	ES MIN	SQ KEY
IN	2.125	4.00	.25	3-1/2 NPT	19.38	14.88	8.06	6.63	2.78	.500
MM	53.98	102	6		492	378	205	168	71	12.70

FRAME	UNITS	B	C	2F ±.03	BS
404TS	IN	14.75	29.56	12.25	6.13
	MM	375	751	311	156
405TS	IN	16.25	31.06	13.75	6.88
	MM	413	789	349	175

1. ALL ROUGH DIMENSIONS MAY VARY BY .25" DUE TO CASTING AND/OR FABRICATION VARIATIONS.
2. LARGEST MOTOR WIDTH.
3. TOLERANCES SHOWN ARE IN INCHES ONLY.

4. STANDARD ASSEMBLY POSITION F-1 IS SHOWN. F-2 IS PROVIDED WHEN SPECIFIED. CONDUIT OPENINGS MAY BE LOCATED IN STEPS OF 90° REGARDLESS OF LOCATION. STANDARD AS SHOWN WITH CONDUIT OPENING DOWN.

**Nidec Motor Corporation**  
St. Louis, Missouri

INFORMATION DISCLOSED ON THIS DOCUMENT IS CONSIDERED PROPRIETARY AND SHALL NOT BE REPRODUCED OR DISCLOSED WITHOUT WRITTEN CONSENT OF NIDEC MOTOR CORPORATION



ISSUED BY  
E. AYALA  
APPROVED BY  
A. ALCARAZ

IHP\_DP\_NMCA (MAR-2011) SOLIDEDGE