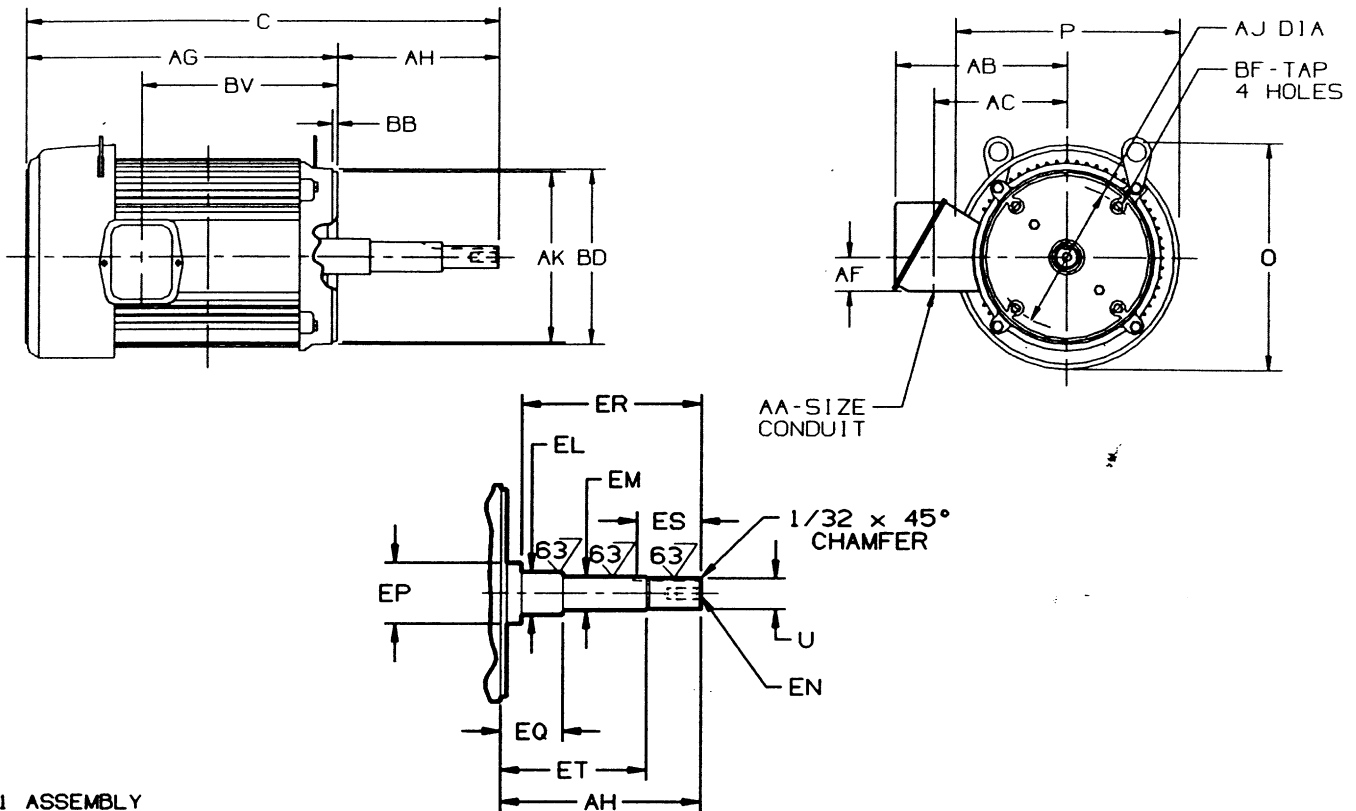


HORIZONTAL MOTORS

UNIMOUNT CLOSE - COUPLED PUMP MOTORS
 FRAME: 180JM, JP
 TYPE: UTF1, 2, AND 4

REFERENCE: 1010U-1-21
 EFFECTIVE: 12-JUL-96
 SUPERSEDES: NEW



F-1 ASSEMBLY

ALL DIMENSIONS ARE IN INCHES

TYPE	U -.0005	AH ±.031	AJ	AK -.003	BB -.062	BD MAX	BF	EL -.002	EM -.0005
UTF1	.8745	7-5/16	5-7/8	4-1/2	5/32	6-5/8	3/8-16 X 9/16	1-1/4	1
UTF2	.8745	7-5/16	7-1/4	8-1/2	9/32	9	1/2-13 X 3/4	1-1/4	1
UTF4	.8745	4-1/4	5-7/8	4-1/2	5/32	6-5/8	3/8-16 X 9/16	1-1/4	1

TYPE	EN	EP MIN	EQ ±.015	ER MIN	ES MIN	ET ±.015	SQ MIN
UTF1	3/8-16 X 3/4	1-1/4	1-9/16	7-5/16	1-21/32	5-15/16	3/16
UTF2	3/8-16 X 3/4	1-1/4	1-9/16	7-5/16	1-21/32	5-15/16	3/16
UTF4	3/8-16 X 3/4	1-1/4	5/8	4-1/4	1-21/32	2-7/8	3/16

P ⁵	T	AA	AB	AC	AF	AG	BV	
							F1	F2
9-9/16	5/8	3/4	6-29/32	5-7/16	1-5/16	13-1/2	7-7/8	3-3/16

FRAME	TYPE	C
182JP	UTF1	20-13/16
184JP, B184JP	UTF1	20-13/16

FRAME	TYPE	C
182JPY	UTF2	20-13/16
184JPY, B184JPY	UTF2	20-13/16

FRAME	TYPE	C
182JM	UTF4	17-3/4
184JM, B184JM	UTF4	17-3/4

TOLERANCES	
FACE RUNOUT	.004 F.I.R.
PERMISSIBLE ECCENTRICITY OF MOUNTING RABBIT	.004 F.I.R.
PERMISSIBLE SHAFT RUNOUT	.002 F.I.R.

- 1: ALL ROUGH CASTING DIMENSIONS MAY VARY BY 1/4" DUE TO CASTING VARIATIONS.
- 2: TAP SIZE AND BOLT PENETRATION ALLOWANCE.
- 3: ALL TAPPED HOLES ARE UNIFIED NATIONAL COARSE, RIGHT HAND THREAD.

- 4: CONDUIT BOX MAY BE LOCATED ON EITHER SIDE OF MOTOR. CONDUIT OPENINGS MAY BE LOCATED IN STEPS OF 90 DEGREES REGARDLESS OF LOCATION. STANDARD AS SHOWN WITH CONDUIT OPENING DOWN.
- 5: LARGEST MOTOR WIDTH.

CERTIFIED BY: _____ DATE: _____



U.S. ELECTRICAL MOTORS
 DIVISION OF EMERSON ELECTRIC CO.



DO NOT USE FOR CONSTRUCTION PURPOSES UNLESS CERTIFIED