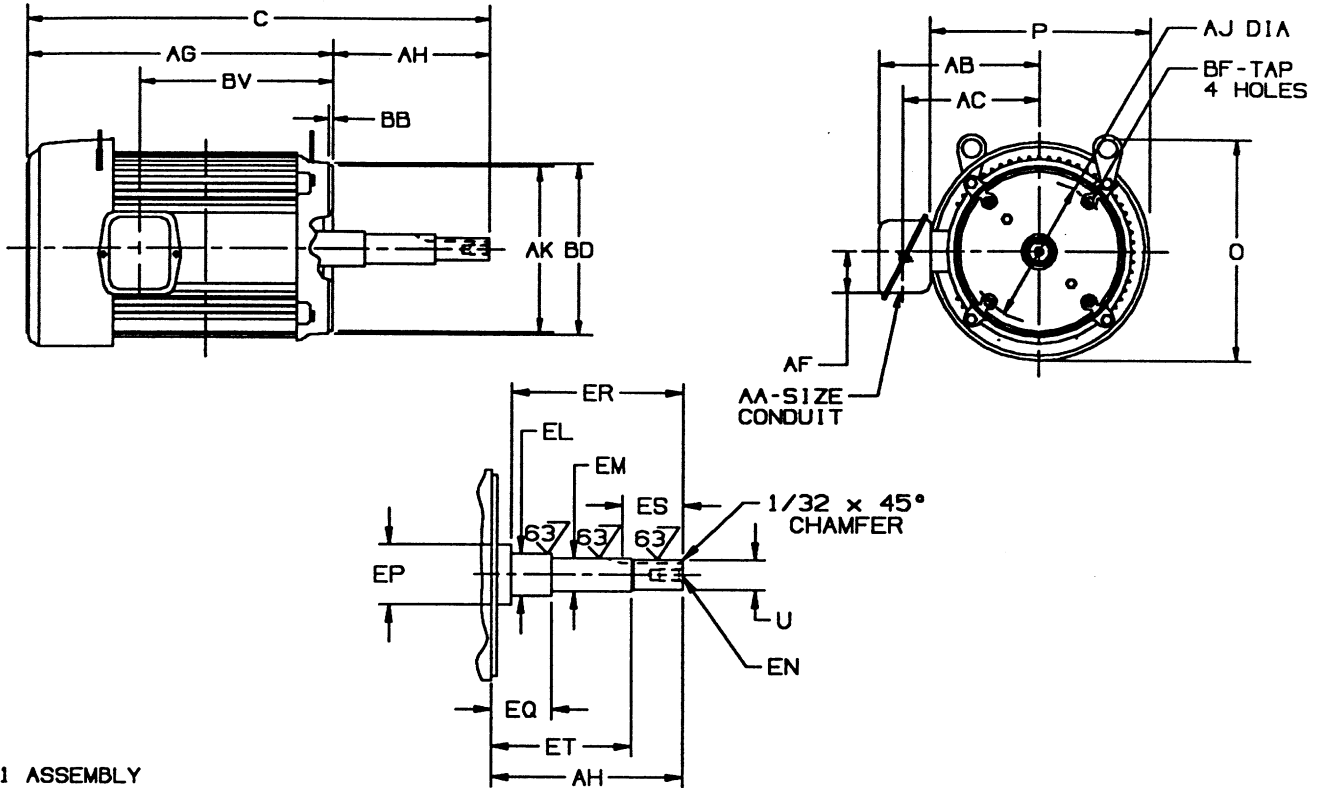




HORIZONTAL MOTORS

UNIMOUNT CLOSE - COUPLED PUMP MOTORS
 FRAME: 254JM, JP THRU 256JM, JP
 TYPE: UTF4, UTF1

REFERENCE: 1010U-1-38
 EFFECTIVE: 12-SEP-95
 SUPERSEDES: NEW



F-1 ASSEMBLY

ALL DIMENSIONS ARE IN INCHES

TYPE	U -.0005	AH ±.031	AJ	AK -.003	BB -.062	BD MAX	BF	EL -.002	EM -.0005
UTF1	1.2495	8-1/8	7-1/4	8-1/2	5-1/6	10	1/2-13 X 3/4	1-3/4	1-3/8
UTF4	1.2495	5-1/4	7-1/4	8-1/2	5-1/16	10	1/2-13 X 3/4	1-3/4	1-3/8

TYPE	EN	EP MIN	EQ ±.015	ER MIN	ES MIN	ET ±.015	SQ MIN
UTF1	1/2-13 X 1	1-3/4	2-3/8	8-1/8	2-17/32	5-7/8	1/4
UTF4	1/2-13 X 1	1-3/4	5/8	5-1/4	2-17/32	3	1/4

FRAME	TYPE	C	AG	BV	
				F1	F2
254JP	UTF1	28-1/4	29-1/8	11-7/8	5-3/8
256JP, B256JP		30	21-7/8	13-5/8	5-3/8
254JM	UTF4	25-3/8	20-1/8	11-7/8	5-3/8
256JM, B256JM		27-1/8	21-7/8	13-5/8	5-3/8

H	D	P ⁴	T	AA	AB	AC	AF
17/32	12-15/16	13-3/8	0	1-1/4	9-15/16	7-5/8	1-13/16

TOLERANCES

FACE RUNOUT	.004 F.I.R.
PERMISSIBLE ECCENTRICITY OF MOUNTING RABBET	.004 F.I.R.
PERMISSIBLE SHAFT RUNOUT	.002 F.I.R.

- 1: ALL ROUGH CASTING DIMENSIONS MAY VARY BY 1/4" DUE TO CASTING VARIATIONS.
- 2: TAP SIZE AND BOLT PENETRATION ALLOWANCE.
- 3: ALL TAPPED HOLES ARE UNIFIED NATIONAL COARSE, RIGHT HAND THREAD.

- 4: CONDUIT BOX MAY BE LOCATED ON EITHER SIDE OF MOTOR. CONDUIT OPENINGS MAY BE LOCATED IN STEPS OF 90 DEGREES REGARDLESS OF LOCATION. STANDARD AS SHOWN WITH CONDUIT OPENING DOWN.
- 5: LARGEST MOTOR WIDTH.

CERTIFIED BY: _____ DATE: _____



U.S. ELECTRICAL MOTORS
 DIVISION OF EMERSON ELECTRIC CO.



DO NOT USE FOR CONSTRUCTION PURPOSES UNLESS CERTIFIED