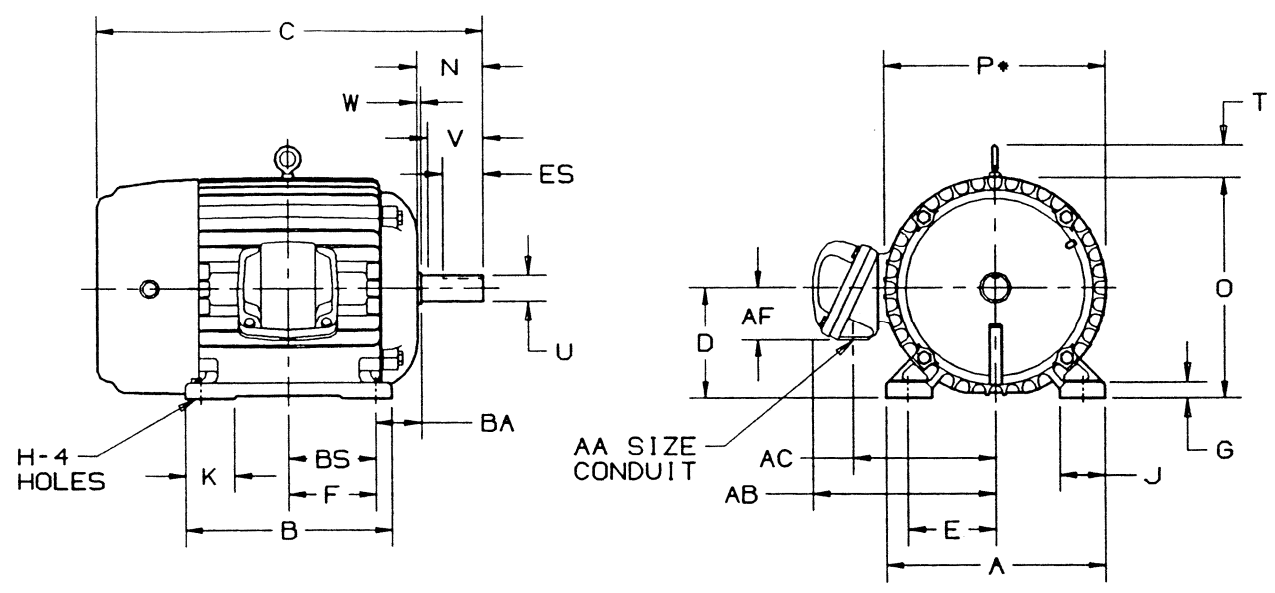


SUPERCEDES  
 DATE:  
 PLOT SCALE: 1/12  
 OAP SCALE:  
 MODEL NO:  
 ORDER NO:

TITLE: **HORIZONTAL MOTORS**  
 FRAME: 250T, 280T  
 TYPE: TC, TCE, TCI  
 O/B ONE SIZE LARGER THAN USEM STD  
 FILE NAME: MDP/1013-1-5

DRN BY: DEM  
 DATE: 22-OCT-93  
 CHD BY:  
 DATE:  
 ENG APP:  
 DATE:



F-1 ASSEMBLY

ALL DIMENSIONS ARE IN INCHES

BASIC FRAME	A	D	E	G	H	J	K	N	O
250T	12.125	6.250	5.000	.875	.531	2.250	2.500	4.125	12.906
280T	13.750	7.000	5.500	1.000	.531	2.875	3.125	4.688	14.156

BASIC FRAME	P*	T	U	V <sub>MIN</sub>	AA	AB	AC	AF	BA
250T	13.313	1.750	1.625	3.750	2.000	11.656	8.906	3.250	4.250
280T	14.313	1.625	1.875	4.375	2.000	12.344	9.531	3.250	4.750

BASIC FRAME	ES MIN	SQ KEY
250T	2.906	.375
280T	3.281	.500

FRAME	B	C	F	BS
254T	10.250	23.250	4.125	4.125
256T	12.000	25.000	5.000	5.000
284T	11.500	26.125	4.750	4.750
286T	13.000	27.625	5.500	5.500

- 1) DIMENSION "D" WILL NEVER BE EXCEEDED, BUT MAY VARY FROM VALUES SHOWN. WHEN EXACT DIMENSIONS ARE REQUIRED, SHIMS UP TO 1/16" MAY BE NECESSARY.
  - 2) ALL ROUGH CASTING DIMENSIONS MAY VARY BY 1/4" DUE TO CASTING VARIATIONS.
  - 3) SHAFT EXTENSION DIAMETER TOLERANCE: +.0000/- .0005 UP TO 1-1/2 INCLUSIVE. LARGER DIAMETERS: +.000/- .001.
  - 4) ALL TAPPED HOLES ARE UNIFIED NATIONAL COARSE, RIGHT HAND THREAD.
  - 5) CONDUIT BOX CAN BE LOCATED ON EITHER SIDE AND OPENING MAY BE LOCATED IN STEPS OF 90 DEGREES REGARDLESS OF LOCATION. STANDARD AS SHOWN WITH CONDUIT OPENING DOWN.
- LARGEST MOTOR WIDTH.