

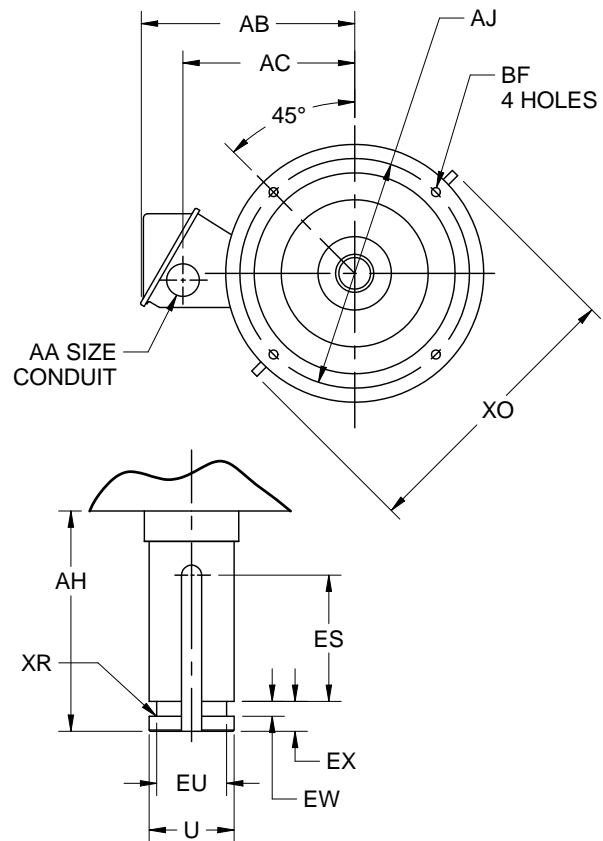
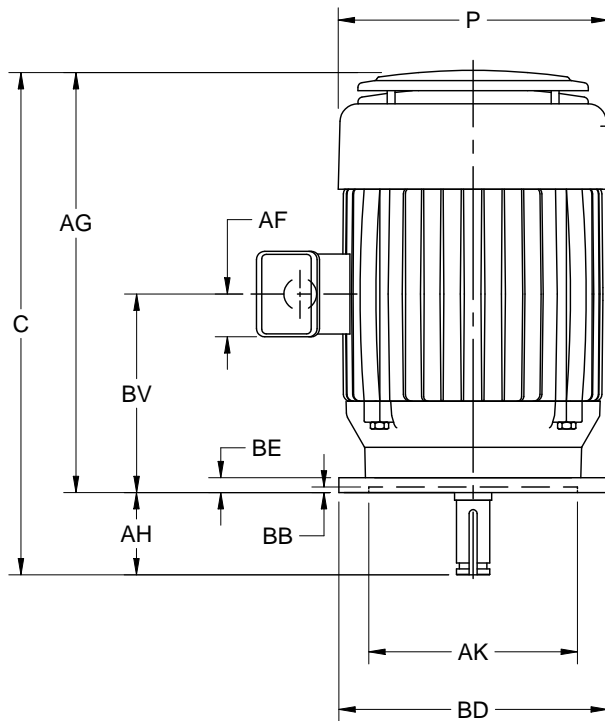
EFFECTIVE:
19-NOV-15

SUPERSEDES:
20-JUN-14

DIMENSION PRINT
WPI WITH OVERSIZED CONDUIT BOX
FRAME: 250HP, HPH
BASIC TYPE: AV

PRINT:
1200-5-21

SHEET:
1 OF 1



ALL DIMENSIONS ARE IN INCHES AND MILLIMETERS

UNITS	C	P ²	U -.0005	AA	AB	AC	AF	AG	AH +.063	AJ	AK +.003	BB MIN
IN	22.00	13.38	1.1250	1.50	11.00	8.31	2.59	19.25	2.750	9.125	8.250	.19
MM	559	340	28.575		279	211	66	489	69.85	231.78	209.55	5

UNITS	BE	BF	BV	ES MIN	EU -.005	EW +.002	EX -.005	XO	XR	SQ KEY
IN	.94	.44	12.75	1.31	.875	.375	.750	16.88	.03	.250
MM	24	11	324	33	22.23	9.53	19.05	429	1	6.35

FRAME	UNITS	BD MAX
254, 256HP	IN	10.00
	MM	254
254, 256HPH	IN	12.00
	MM	305

- ALL ROUGH CASTING DIMENSIONS MAY VARY BY .25" DUE TO CASTING AND/OR FABRICATION VARIATIONS.
- LARGEST MOTOR WIDTH.
- CONDUIT OPENINGS MAY BE LOCATED IN STEPS OF 180 DEGREES. STANDARD AS SHOWN WITH CONDUIT OPENING DOWN.
- TOLERANCES SHOWN ARE IN INCHES ONLY.

TOLERANCES	
FACE RUNOUT	.004 T.I.R.
PERMISSIBLE ECCENTRICITY OF MOUNTING RABBET	.004 T.I.R.
PERMISSIBLE SHAFT RUNOUT FOR SPECIAL RUNOUT	.002 T.I.R.
	.001 T.I.R.

Nidec Motor Corporation
St. Louis, Missouri

INFORMATION DISCLOSED ON THIS DOCUMENT IS CONSIDERED PROPRIETARY AND SHALL NOT BE REPRODUCED OR DISCLOSED WITHOUT WRITTEN CONSENT OF NIDEC MOTOR CORPORATION



ISSUED BY
G. MARTINEZ
APPROVED BY
K. VALADEZ

IHP_DP_NMCA (MAR-2011) SOLIDEDGE