

EFFECTIVE:
20-APR-15

DIMENSION PRINT

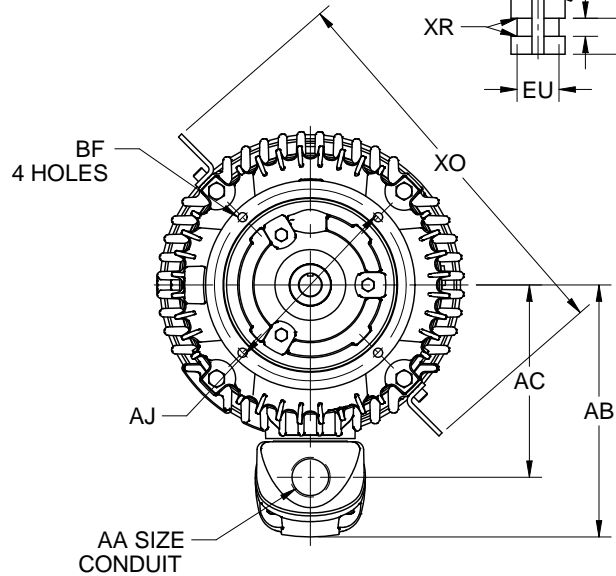
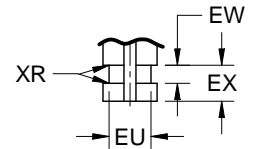
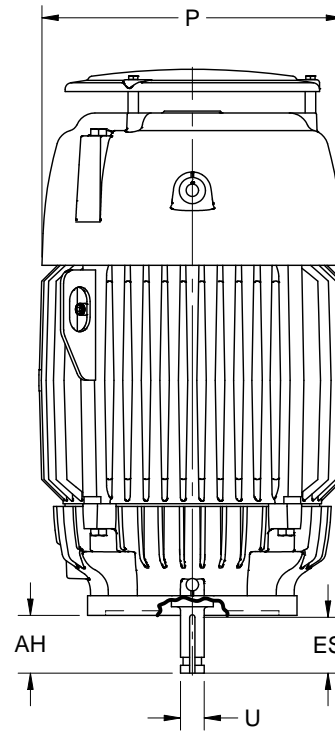
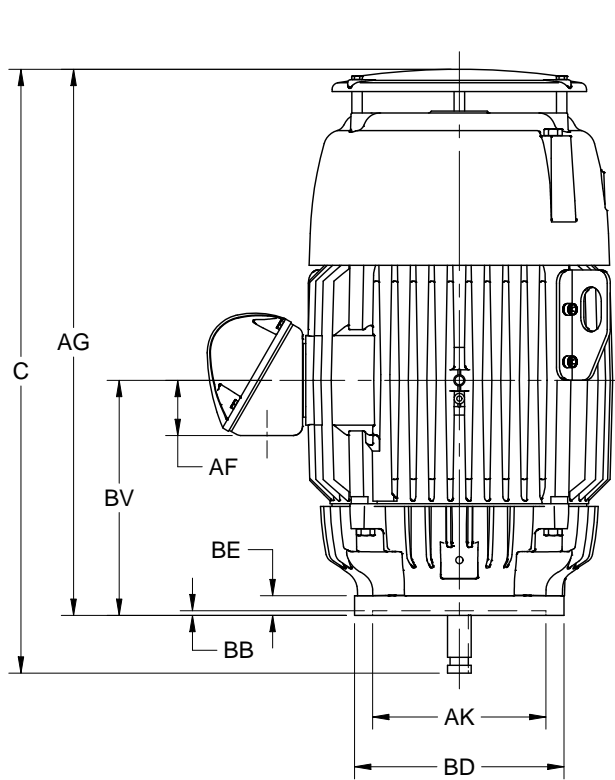
TEFC, VERTICALLY MOUNTED

PRINT:
1200-5-34

SUPERSEDES:
NEW

FRAME: 280VP
BASIC TYPE: TVC

SHEET:
1 OF 1



ALL DIMENSIONS ARE IN INCHES AND MILLIMETERS

UNITS	C	P ²	U -.0005	AA	AB
IN	28.75	14.59	1.1250	1 1/2 NPT	12.00
MM	730	371	28.575		305

UNITS	AC	AF	AG	AH	AJ
IN	9.16	2.63	26.00	2.75	9.125
MM	233	67	660	70	231.78

UNITS	AK +.003	BB MIN	BD MAX	BE	BF
IN	8.250	.19	10.00	.94	.44
MM	209.55	5	254	24	11

UNITS	BV	ES MIN	EU -.005	EW +.002
IN	11.19	1.28	.875	.375
MM	284	33	22.23	9.53

UNITS	EX -.005	SQ KEY	XO	XR
IN	.750	.250	18.81	.03
MM	19.05	6.35	478	1

TOLERANCES	
FACE RUNOUT	.004 T.I.R.
PERMISSIBLE ECCENTRICITY OF MOUNTING RABBET	.004 T.I.R.
PERMISSIBLE SHAFT RUNOUT	.002 T.I.R.

1. DIMENSIONS MAY VARY BY .25" DUE TO CASTING AND/OR FABRICATION VARIATIONS.
2. LARGEST MOTOR WIDTH.
3. CONDUIT OPENING MAY BE LOCATED IN STEPS OF 90 DEGREES. STANDARD AS SHOWN WITH OPENING DOWN.
4. TOLERANCES SHOWN ARE IN INCHES ONLY.

Nidec Motor Corporation
St. Louis, Missouri

INFORMATION DISCLOSED ON THIS DOCUMENT IS CONSIDERED PROPRIETARY AND SHALL NOT BE REPRODUCED OR DISCLOSED WITHOUT WRITTEN CONSENT OF NIDEC MOTOR CORPORATION



ISSUED BY
G. MARTINEZ
APPROVED BY
J. AGUILAR

IHP_DP_NMCA (MAR-2011) SOLIDEDGE