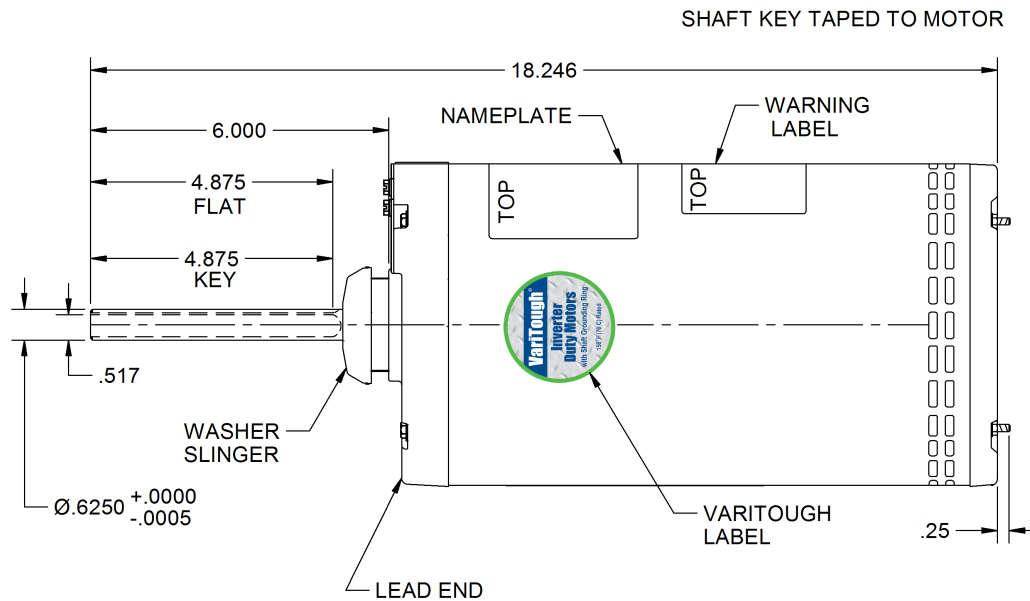
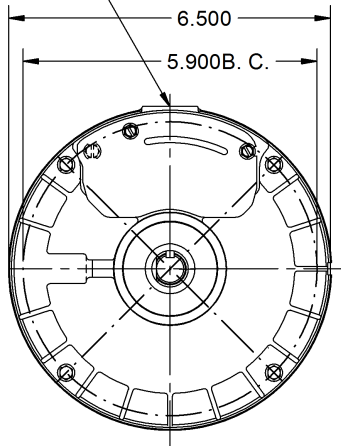


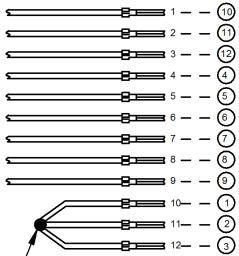
1/2-14 NPSM THREAD WITH CONDUIT PLUG



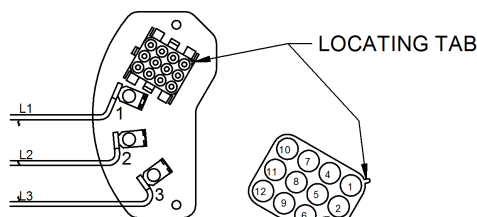
MODEL	REF	CUSTOMER	HP	VOLTS	AMPS	HZ.	R.P.M.	ROTATION	CUST. PT. NO.	PROTECTOR
FK80	DX61	WHOLESALE HAC	1 1/2	208-230/460	7.2-7.2/3.6	60	850	REVERSIBLE	1832VG	THERMOSTATS

MOTOR REFERENCE # J63WZBKW-0227

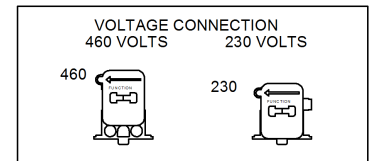
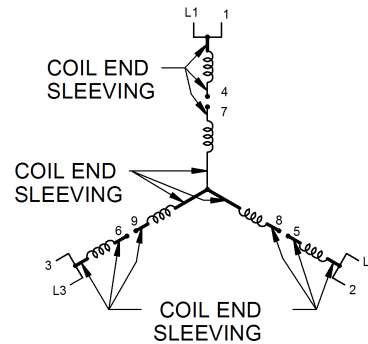
STATOR LEADS CONNECTION DIAGRAM TO CONNECTOR HOUSING



JUMPER LEAD ASM.



CONNECTOR BLOCK WIRING INFORMATION



ROTATION: CW LE REV. WHEN PHASED AS SHOWN.

L1 -- PHASE A  
L2 -- PHASE B  
L3 -- PHASE C

ITEMS AND MATERIALS SPECIFIED HEREIN MUST COMPLY WITH THE EUROPEAN REDUCTION OF HAZARDOUS SUBSTANCES (REHS 2) DIRECTIVE 2011/65/EU, REGULATIONS (EC) NO. 1907/2006 ("REACH") AS OF 1 JUNE 2007 AND ALL SUBSEQUENT UPDATES. PLEASE REFER TO THE OFFICIAL EU DOCUMENTS FOR COMPLETE DEFINITION, RESTRICTIONS, AND LIMITS FOR EACH SUBSTANCE.

NIDEC CONFIDENTIAL  
NIDEC MOTOR CORPORATION 07-OCT-15

REVISION DESCRIPTION FOR: D3079-00	SCALE	PROCESS PER GROUP 91500
STD, NEW	NONE INCHES	CSTG NO. ---
MATERIAL: ---	TOLERANCES ON DIMENSIONS (UNLESS OTHERWISE SPECIFIED)	PART NO. 2044484-000
	INCHES .XX = ± .01 .XXX = ± .005	FRAME 56HZ
	mm	TYPE DFI
	ANGLES X° = ± 1°	

TITLE		NIDEC MOTOR CORPORATION	
OUTLINE ASSEMBLY			
ISSUED BY R. MARTINEZ	APPROVED BY J. MAGALLANES	REVISION DATE 07-OCT-15	
CODE	DWG NO. 2044484	REV -	SHEET NUMBER 1 OF 1
			DWG SIZE B