

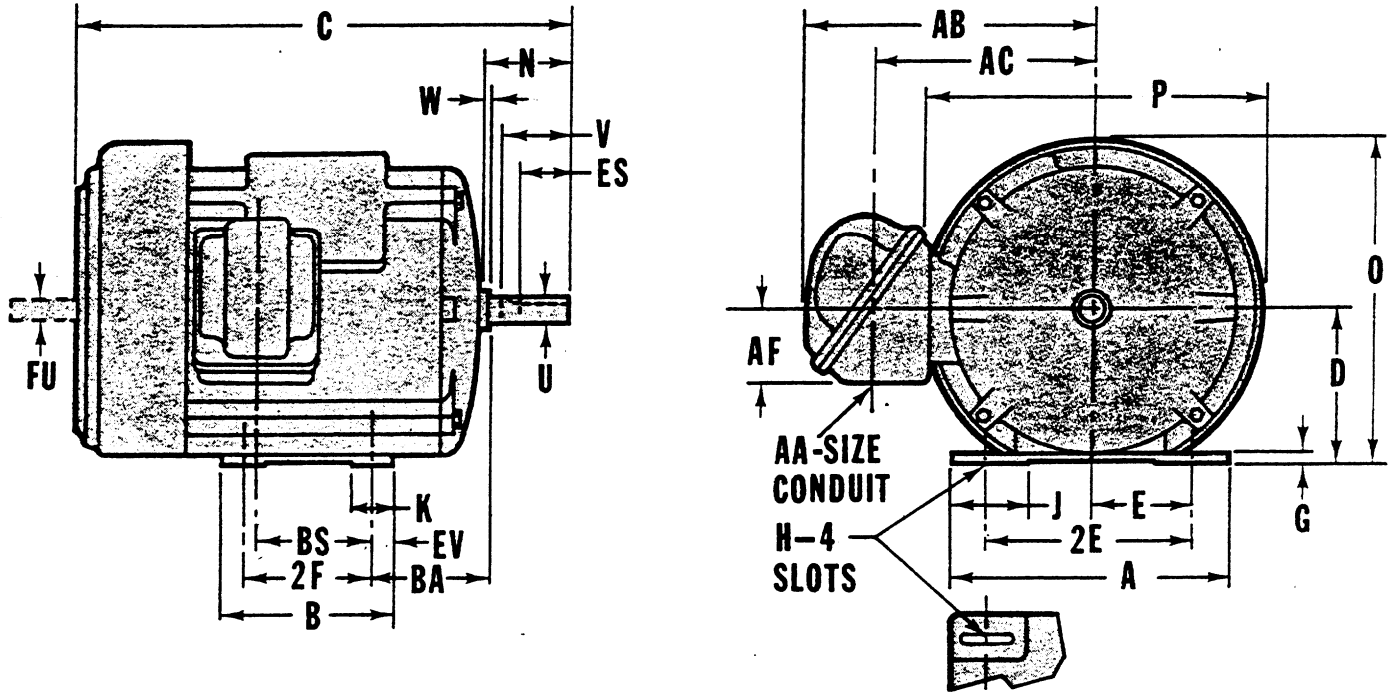
# HORIZONTAL MOTORS



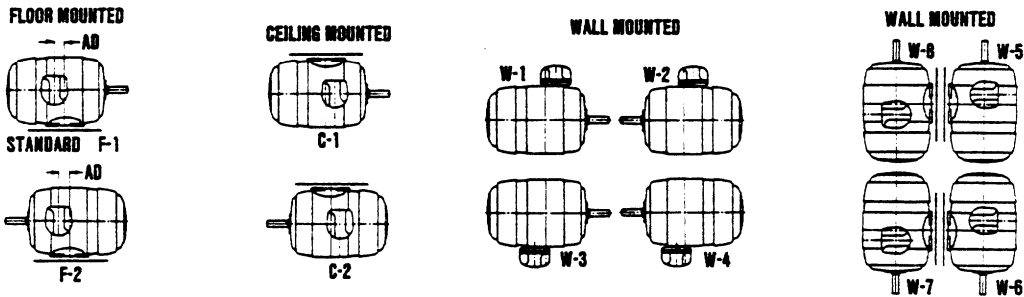
# DIMENSIONS

## FRAME 56 -- TYPE E (EXPLOSIONPROOF)

STANDARD ASSEMBLY F - 1 ILLUSTRATED



OPTIONAL ASSEMBLY POSITIONS



ALL DIMENSIONS ARE IN INCHES

A	B	C	D	E	2E	2F	G	H	J	K	N	O	P*
6-1/2	4	11-5/8	3-1/2*	2-7/16	4-7/8	3	1/8	1-1/4 x 11/32	1-3/4	1	2-1/16	7-7/16	7-3/4

U -.0005	V MIN.	W	AA	AB	AC	AF	BA	BS ■		ES MIN.	EV	FU -.0005	SQ. KEY
								F - 1	F - 2				
5/8	1-11/16	3/16	3/4	6-11/16	5-3/16	1-3/4	2-3/4	2-3/4	1/4	1-13/32	1/2	5/8	3/16

■ Use dimensions per your assembly position as shown in this table.

FOR ASSEMBLY POSITIONS	USE COLUMN
F - 1, C - 2, W - 2, W - 3, W - 6, W - 8	F - 1
F - 2, C - 1, W - 1, W - 4, W - 5, W - 7	F - 2

\* Largest motor width.

Dimension "D" will never be exceeded, but may be less than values shown. When exact dimensions are required, shims up to 1/32" may be necessary.

All rough casting dimensions may vary by 1/4" due to casting variations.

Conduit box can be located on either side and opening may be located in steps of 90 degrees regardless of location. Standard as shown with conduit down.