

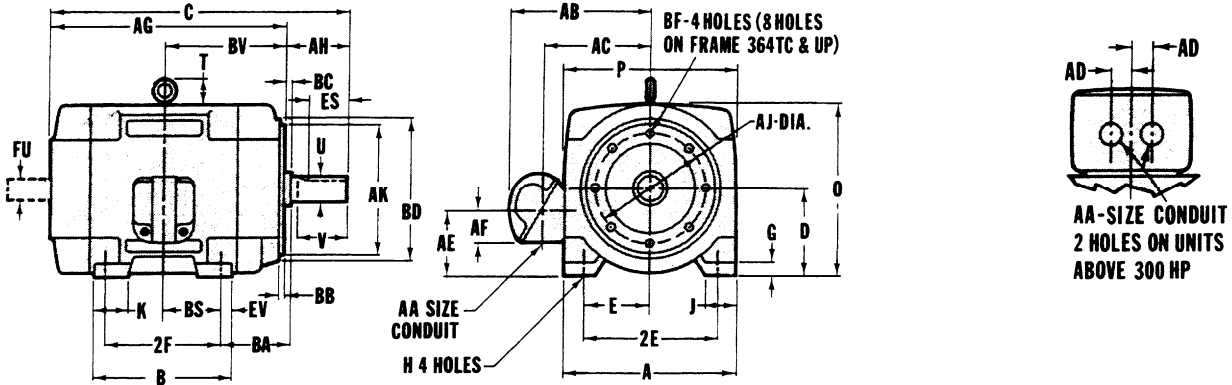
HORIZONTAL MOTORS



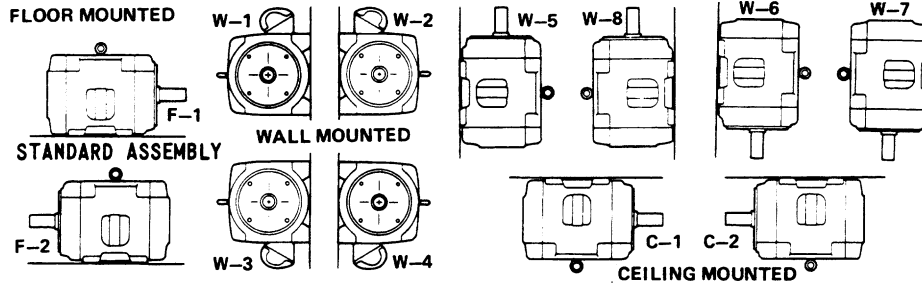
DIMENSIONS

FRAMES 444TSC THRU 449TSC -- TYPE R (DRIPPROOF) WITH NEMA "C" BRACKET

STANDARD ASSEMBLY F-1 ILLUSTRATED



OPTIONAL ASSEMBLY POSITIONS



ALL DIMENSIONS ARE IN INCHES

A	D	E	2E	G	H	J	K	O	P*	T	U	V	AE
22	11	9	18	1-3/8	13/16	4	3-1/4	22	22-1/4	3-1/4	2-3/8	4-1/2	11

AH	AJ	AK	BA	BB	BC	BD	BF	ES	EV	FU	SQ	BRACKET
4-1/2	14	.005	7-1/2	MIN	1/4	MAX	5/8-11x15/16	MIN	1-5/8	.001	5/8	PART NO
												191901

CONDUIT BOX DIMENSIONS

FRAME	B	C	2F	AG	BS	BV
444TSC	17-3/4	34	14-1/2	29-1/2	7-1/4	15
445TSC	19-3/4	36	16-1/2	31-1/2	8-1/4	16
447TSC	23-1/4	39-1/2	20	35	10	17-3/4
449TSC	28-1/4	44-1/2	25	40	12-1/2	20-1/4

HP	AA	AB	AC	AD	AF
thru 200	3-1/2	19-1/16	15-3/16	-	5-9/32
201-300	3-1/2	22-3/16	16-21/32	-	8-1/16
301 & up	3	22-3/16	16-21/32	2-3/4	8-1/16

Conduit box can be located on either side and opening may be located in steps of 90 degrees regardless of location. Standard as shown with conduit down.

Dimensions "D" will never be exceeded, but may be less than values shown. When exact dimensions are required, shims up to 1/16" may be necessary.

All rough casting dimensions may vary by 1/4" due to casting variations.

All tapped holes are Unified National Coarse, right hand thread.

■ Minus dimensions indicate mounting flange extends beyond shaft shoulder. (Shoulder shown in drawing above for dimensions)

▼ Tap size and bolt penetration allowance.

* Largest motor width.

TOLERANCES	
Face runout	.007 F.I.R.
Permissible eccentricity of mounting rabbit	.007 F.I.R.
Permissible shaft runout	.003 F.I.R.



U.S. ELECTRICAL MOTORS DIVISION EMERSON ELECTRIC CO.

Printed in U.S.A.

EFFECTIVE: 06-01-92
SUPERSEDES: 02-01-86

SECTION : 205
PAGE : 34

DO NOT USE FOR CONSTRUCTION
PURPOSES UNLESS CERTIFIED