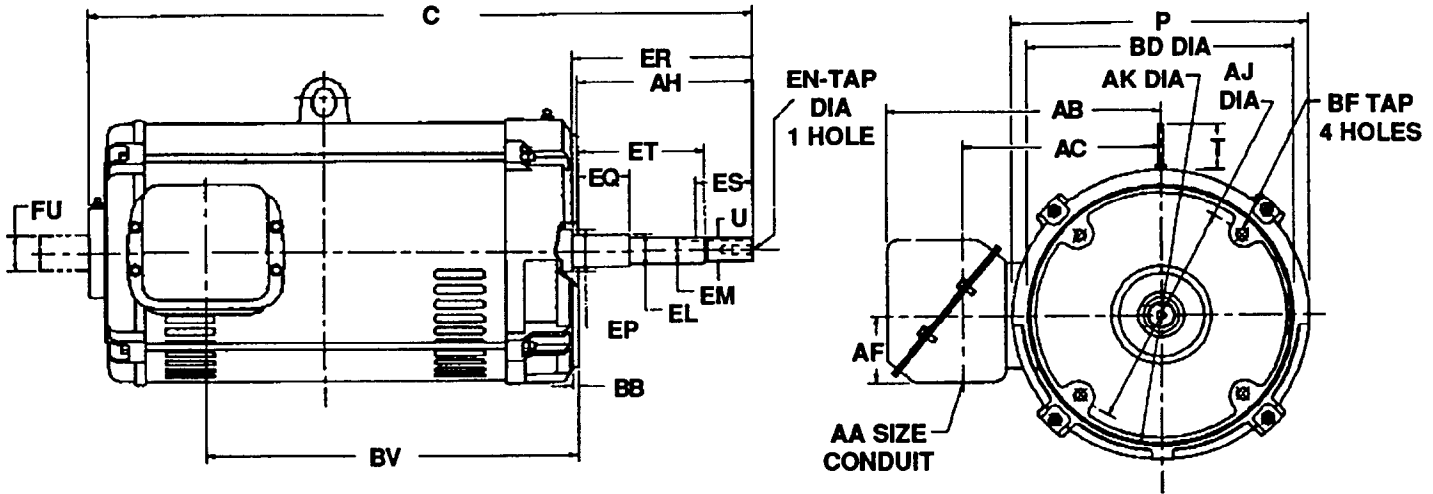




HORIZONTAL MOTORS

CLOSED COUPLED PUMP MOTORS
FRAMES 324JM, THRU 326JP
TYPES DF-1 & DF-4

SECTION: 205S
PAGE: 12
EFFECTIVE: 03-01-91
SUPERSEDES: 07-01-90



ALL DIMENSIONS ARE IN INCHES

P*	T	U -.0005	AA	AB	AC	AF	AJ	AK -.005	BB -.062	BD MAX	BF ■	BV	EL -.002	EM -.0005
14-3/16	2-3/16	1.2495	2	12-11/16	9-5/16	3-1/4	11	12-1/2	5/16	13	5/8-11x15/16	17	1-3/4	1-3/8

EN ■	EP MIN.	ES MIN.	FU -.001	SQ. KEY
1/2-13x1	2-1/8	2-17/32	1-7/8	1/4

FRAME	TYPE	C	AH	EQ ±.020	ER MIN	ET ±.020
324JM, 326JM	DF-4	27-1/2	5-1/4	5/8	5-1/4	3
324JP, 326JP	DF-1	30-3/8	8-1/8	2-3/8	8-1/8	5-7/8

All tapped holes are unified national coarse, right hand thread.

* Largest motor width.

All rough casting dimensions may vary by 1/4" due to casting variations.

■ Tap Size and bolt penetration allowance.

◇ NEMA standard diameter of 1-5/8" is not available.

Conduit box opening may be located in steps of 90°. Standard as shown with conduit opening down.

TOLERANCES

Face runout	.007 F.I.R.
Permissible eccentricity of mounting rabbet	.007 F.I.R.
Permissible shaft runout	.003 F.I.R.



U. S. ELECTRICAL MOTORS
DIVISION OF EMERSON ELECTRIC CO. EMERSON

DO NOT USE FOR CONSTRUCTION
PURPOSES UNLESS CERTIFIED