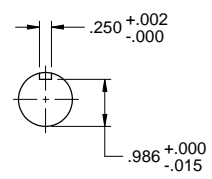
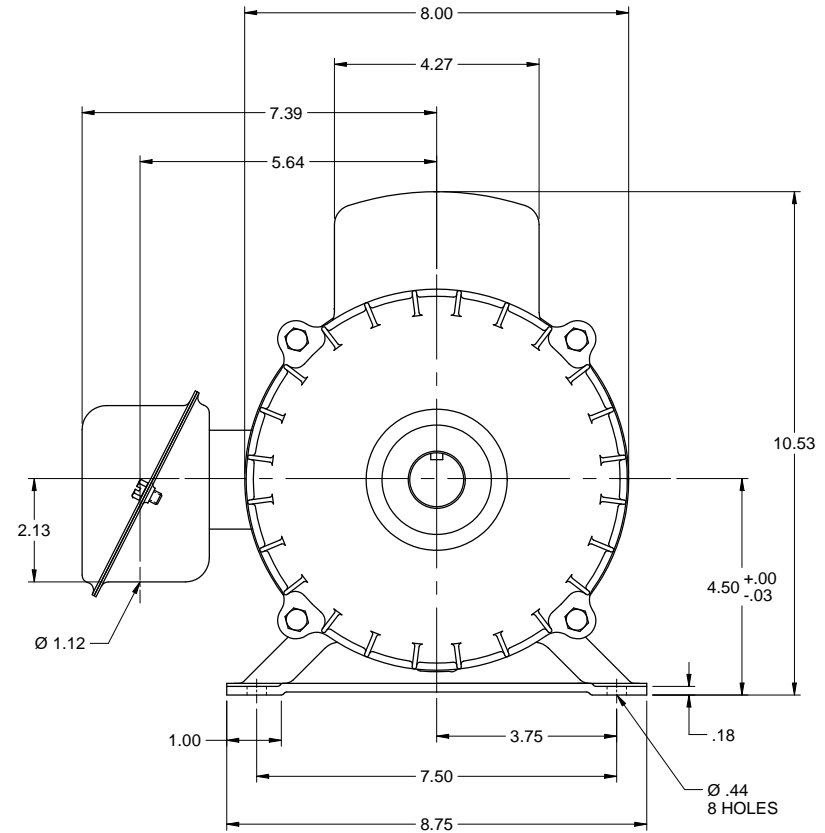


A  
A



VIEW A-A

| FRAME | TYPE | HP | RPM  | PH | HZ | SF   | VOLTS   | AMPS      |
|-------|------|----|------|----|----|------|---------|-----------|
| 182T  | DM   | 3  | 3500 | 1  | 60 | 1.15 | 115/230 | 28.0/14.0 |

|  |  |   |          |                         |                         |
|--|--|---|----------|-------------------------|-------------------------|
| REVISION DESCRIPTION FOR: MISC   |  | SCALE 1:2   | UNITS IN | TITLE                   | NIDEC MOTOR CORPORATION |
| STL1216 - ADDED 4.50 DIM.  |  | TOLERANCES ON DIMENSIONS (UNLESS OTHERWISE SPECIFIED) |          | DRAWING, DIMENSION      |                         |
| MATERIAL: ---  |  | INCHES .XX = ± .03<br>.XXX = ± .015                   |          | ISSUED BY K. FRIEDMAN   | APPROVED BY J. HAGENE   |
| MUST BE COMPLIANT TO RoHS DIRECTIVE EU 2002/95/EC AND REGULATION EC 1907/2006 (REACH) AS AMENDED |  | ANGLES X° = ±1°                                       |          | REVISION DATE 08-DEC-16 | REV NUMBER 1 OF 1       |
|  |  |   |          | DWG NO. 0476457         | DWG SIZE C              |

NIDEC CONFIDENTIAL  
NIDEC MOTOR CORPORATION 08-Dec-16