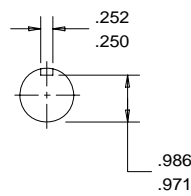
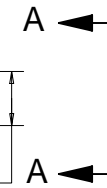
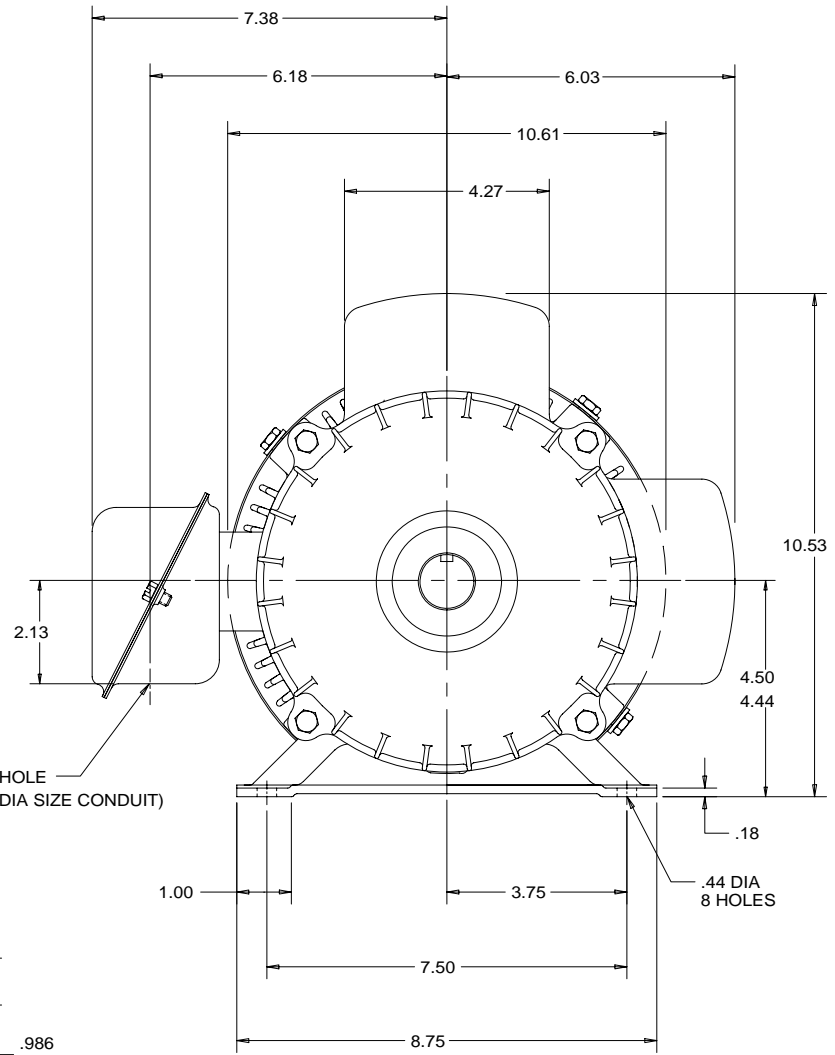


1.81 ^{+.06}
_{-.00}

1.1250
1.1245 DIA



VIEW **A-A**



1.12 DIA HOLE
(FOR .75 DIA SIZE CONDUIT)

.44 DIA
8 HOLES

FRAME	TYPE	HP	RPM	PH	HZ	SF	VOLTS	AMPS
184T	SM	5	3505	1	60	1.0	230	19.6

REVISION DESCRIPTION FOR: A1000-50 UPDATED TO NIDEC FORMAT.		SCALE: NONE	UNITS: IN	TITLE: DRAWING, DIMENSION	NIDEC MOTOR CORPORATION
MATERIAL: ---		TOLERANCES ON DIMENSIONS (UNLESS OTHERWISE SPECIFIED): INCHES mm	ISSUED BY: R. KING	APPROVED BY: J. HÄGENE	
MUST BE COMPLIANT TO RoHS DIRECTIVE EU 2002/95/EC AND REGULATION EC 1907/2006 (REACH) AS AMENDED		ANGLES: X° = ±1°		CODE: DP	DWG NO.: 0476469
		REV: A	SHEET NUMBER: 1 OF 1	DWG SIZE: C	SOLDEGE