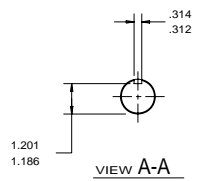
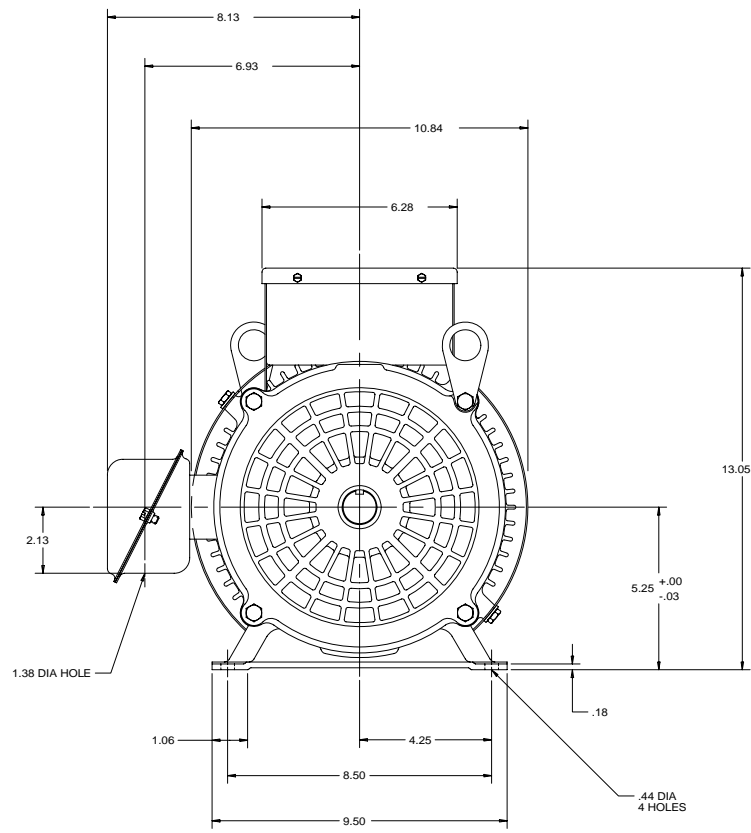


A
A



FRAME	TYPE	HP	RPM	PH	HZ	SF	VOLTS	AMPS
215T	SM	7.5	1740	1	60	1.0	230	30.0

REVISION DESCRIPTION FOR: A1000-50 UPDATED TO NIDEC FORMAT.		SCALE: NONE	UNITS: IN	TITLE: DRAWING, DIMENSION	NIDEC MOTOR CORPORATION
MATERIAL: ---		TOLERANCES ON DIMENSIONS (UNLESS OTHERWISE SPECIFIED): INCHES: .XX = ± .03 .XXX = ± .015		ISSUED BY: R. KING	
MUST BE COMPLIANT TO RoHS DIRECTIVE EU 2002/95/EC AND REGULATION EC 1907/2006/REACH AS AMENDED.		ANGLES X° = ±1°		APPROVED BY: J. HAGENE	REVISION DATE: 13-OCT-11
		CODE: DP	DRWG NO.: 0476471	SHEET NUMBER: A	DRW SIZE: 1 OF 1

NIDEC CONFIDENTIAL
NIDEC MOTOR CORPORATION 13-Oct-11