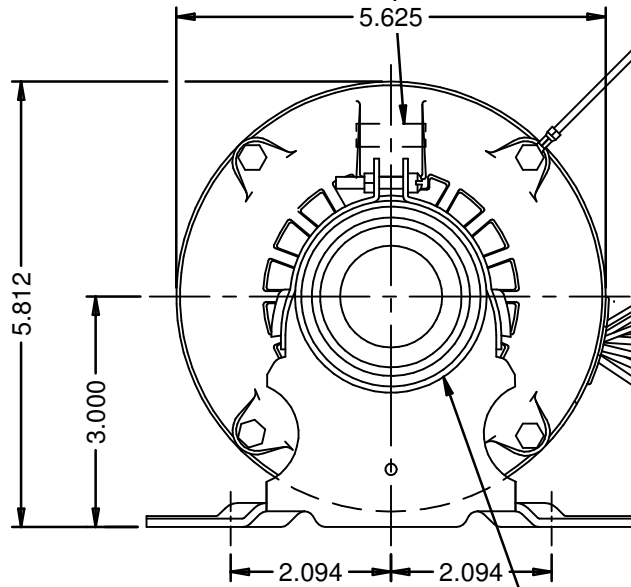


#16 GREEN GROUND LEAD TO BE
6.000±.250 BETWEEN CENTER OF
TERMS., TERM. TO FIT #10 SCREW

AUTOMATIC THERMAL
PROTECTOR



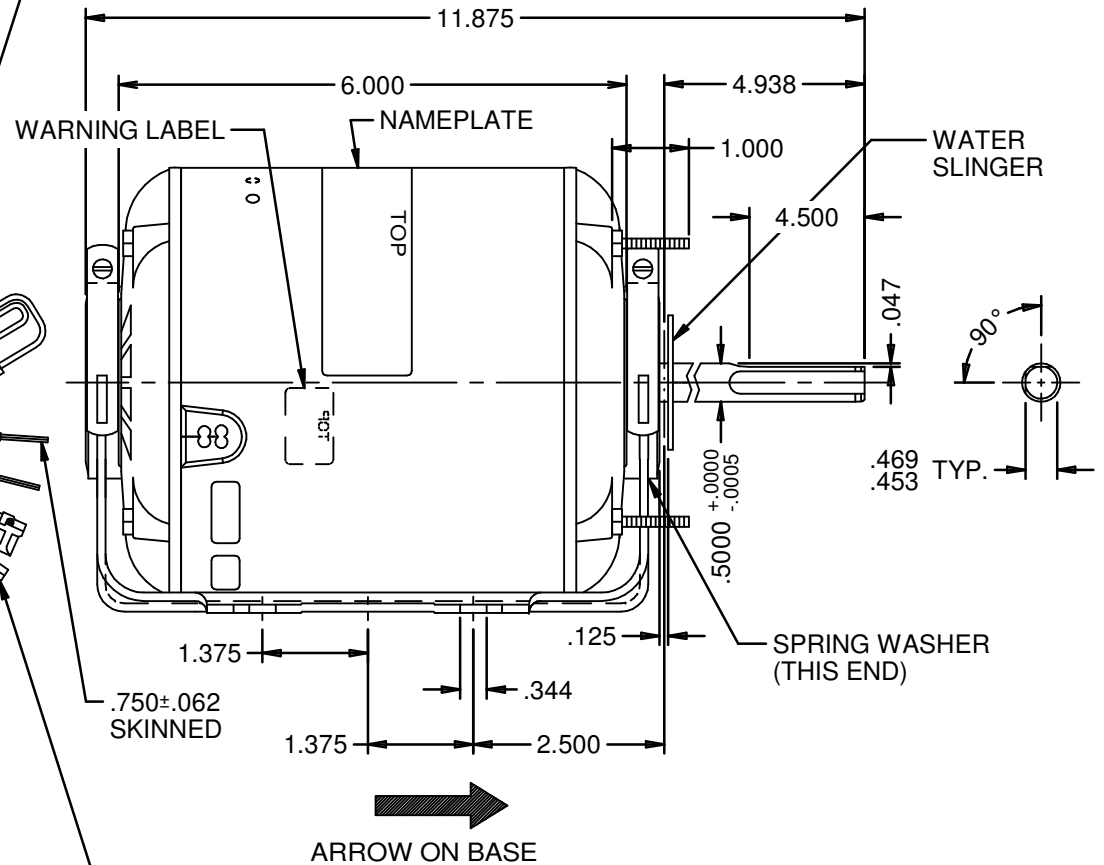
SPLIT IN MTG. RING

REV
G

4 LEADS, #18, .031 THICK INSUL.
TO EXTEND BEYOND MOTOR:
BLACK = 20.000 +2 -0,
WHITE = 20.000 +2 -0,
(2) BROWN = 20.000 +2 -0
(ONE BROWN WITH WHITE STRIPE)

BALL BEARING

TO REVERSE ROTATION
INTERCHANGE ORG & YEL LEADS.



ARROW ON BASE

(2) .250 FLAG TYPE Q.C. TERMS.
WITH INSUL. GRIP ON BRN LEADS

SUPPLIED DETACHED:
1-CAPACITOR
1-CAP-CAPACITOR
1-CLAMP-CAPACITOR
2-10-24 SCREWS

NIDEC MOTOR CORPORATION 25-Feb-14

MODEL	REF	CUSTOMER	HP	VOLTS	AMPS	HZ	RPM	ROTATION	CUSTOMER PN	
K55HXSEL-1141	-	STANDARD	1/2	230	3.1	60	1075	CCW LEAD END REV	7025	
REVISION RECORD FOR: C9694-00				INFORMATION DISCLOSED ON THIS DOCUMENT IS CONSIDERED PROPRIETARY AND SHALL NOT BE REPRODUCED OR DISCLOSED WITHOUT WRITTEN CONSENT OF NIDEC MOTOR CORPORATION				NIDEC MOTOR CORPORATION		
SHEET NUMBER	REV	CHANGED EXIT REVERSE LEAD.								
1 OF 1	G	CHANGED INSUL. FROM .062 TO .031								
REVISION DATE				ALL DIMENSIONS ARE FOR REFERENCE ONLY UNLESS TOLERANCE IS GIVEN						
25-FEB-14				TITLE				CODE	ITEM NO.	SIZE
ISSUED BY		REVIEWED BY	ENGINEER APPROVED	ASSEMBLED VIEW				V01	244295	A
B. ANDRADE		B. GAITAN	B. GAITAN							