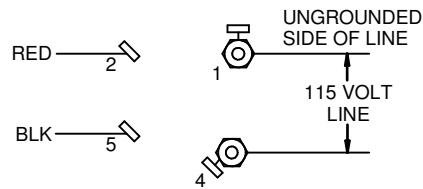
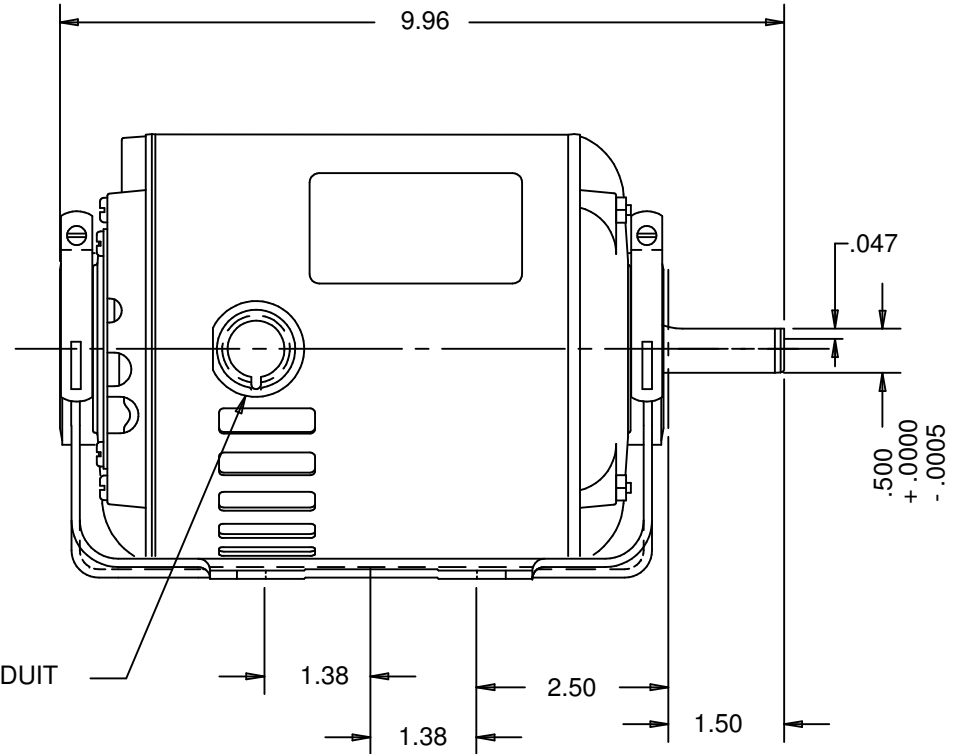
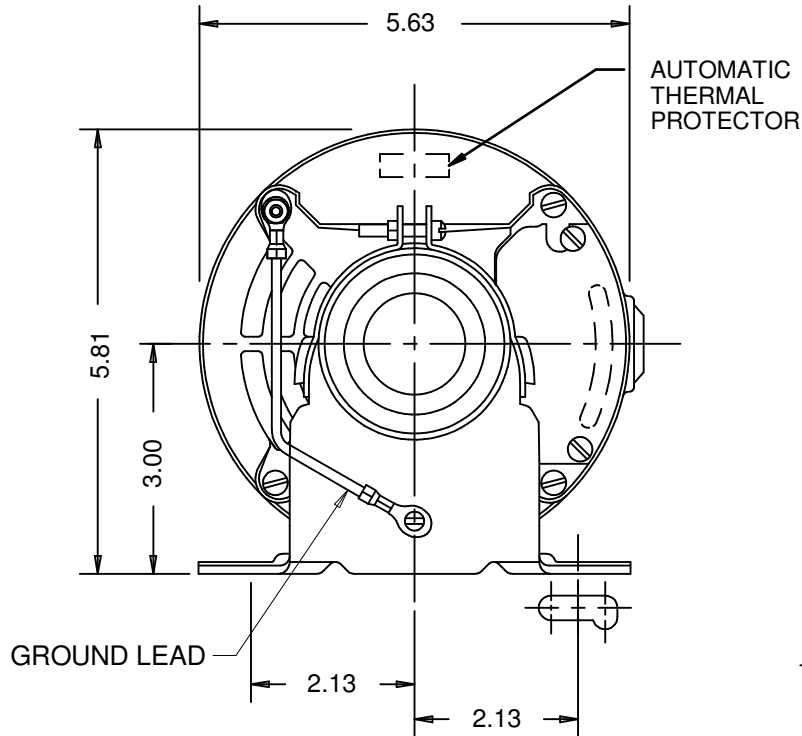


CONNECTIONS



TO REVERSE ROTATION  
SWITCH RED & BLK LEADS

SUPPLIED DETACHED:  
1-5/8 SHAFT ADAPTER  
1-SHAFT KEY  
1-KIT BAG



NIDEC MOTOR CORPORATION 20-Nov-18

MODEL	REF	CUSTOMER	HP	VOLTS	AMPS	HZ	RPM	ROTATION	CUSTOMER PN
SA55JXSFC-4867		STANDARD	1/2	115	8.0	60	1725	CCW LEAD END REV	8200

SHEET NUMBER	REV	REVISION RECORD FOR: ECO E32680
1 OF 1	E	WAS CHANGED THE NOTE OF (FORM INSTAL. INSTR.) TO (KIT BAG).
REVISION DATE		
21-NOV-18		
ISSUED BY	REVIEWED BY	ENGINEER APPROVED
G. ISASSI	K. MORT	T. BOSSALLER

INFORMATION DISCLOSED ON THIS DOCUMENT IS CONSIDERED PROPRIETARY AND SHALL NOT BE REPRODUCED OR DISCLOSED WITHOUT WRITTEN CONSENT OF NIDEC MOTOR CORPORATION

ALL DIMENSIONS ARE FOR REFERENCE ONLY UNLESS TOLERANCE IS GIVEN

TITLE	CODE	ITEM NO.	SIZE
ASSEMBLED VIEW	V01	255738	A

NIDEC MOTOR CORPORATION	
ITEM NO.	255738