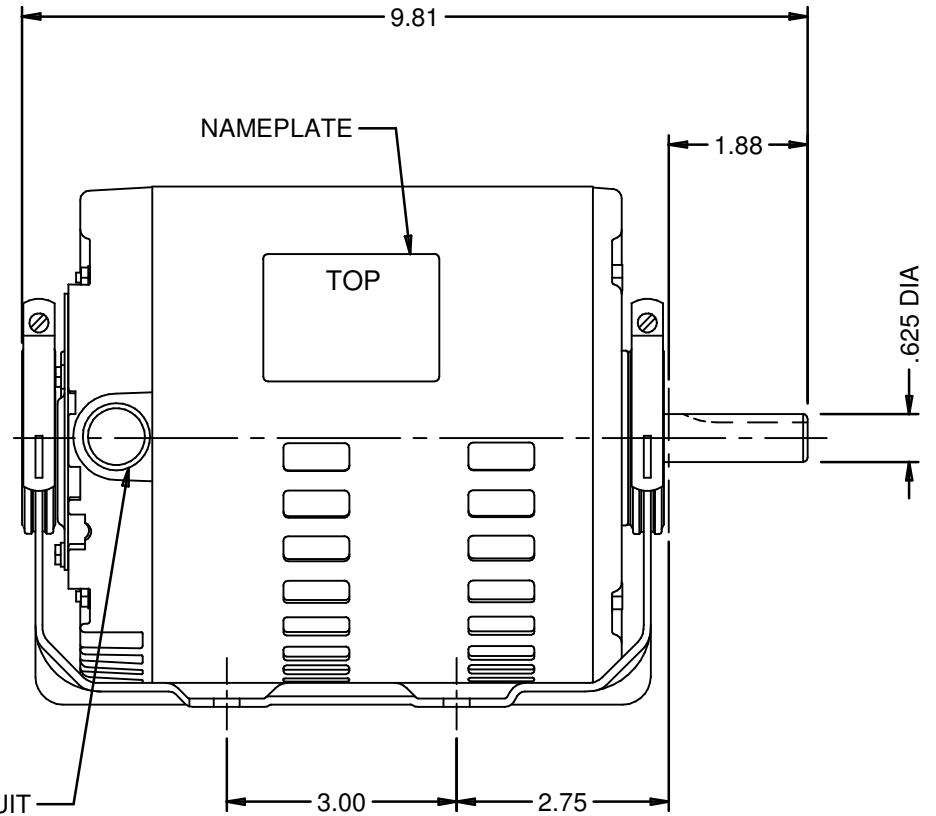
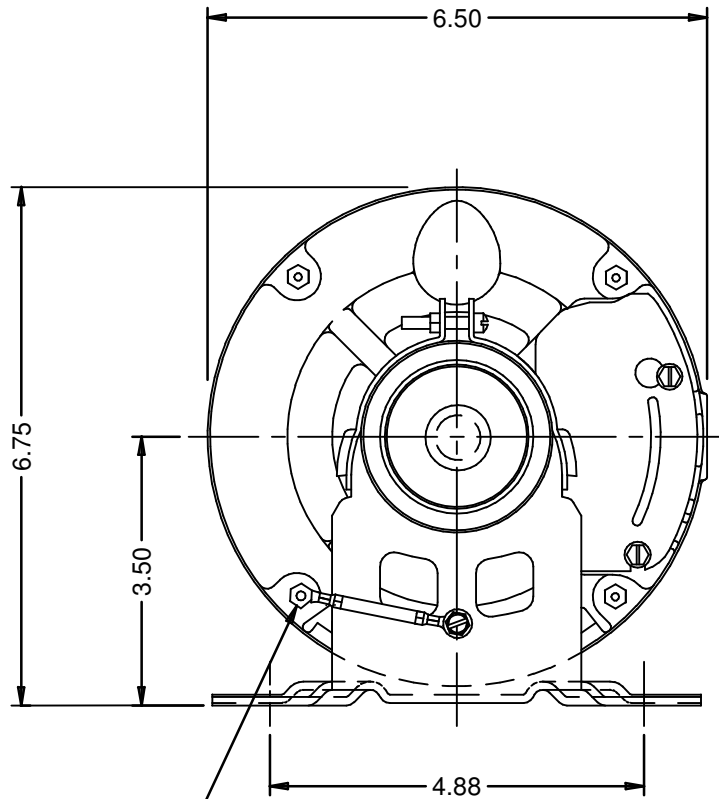


.19 SQ. SHAFT KEY



GROUND LEAD (1): GREEN; 16 AWG; .031 (PVC) INSULATION; TO BE 3.000 ±.250 BETWEEN CENTERS OF TERMS.; #10 RING TERMINATION

NIDEC MOTOR CORPORATION 11-Oct-12

MODEL	REF	CUSTOMER	HP	VOLTS	AMPS	HZ	RPM	ROTATION	CUSTOMER PN
S63CXSJB-7032		STANDARD	3/4	115/230	11.2/5.6	60	1725	CCW LEAD END REV	4115

SHEET NUMBER	REV	REVISION RECORD FOR:
1 OF 1	D	C6408-00
		UPDATED "ENGINEER APPROVED" TO B. GAITAN.
REVISION DATE		
11-OCT-12		

INFORMATION DISCLOSED ON THIS DOCUMENT IS CONSIDERED PROPRIETARY AND SHALL NOT BE REPRODUCED OR DISCLOSED WITHOUT WRITTEN CONSENT OF NIDEC MOTOR CORPORATION

NIDEC MOTOR CORPORATION

ALL DIMENSIONS ARE FOR REFERENCE ONLY UNLESS TOLERANCE IS GIVEN

ISSUED BY	REVIEWED BY	ENGINEER APPROVED	TITLE	CODE	ITEM NO.	SIZE
E. VICENCIO	M. LARGENT	B. GAITAN	ASSEMBLED VIEW	V01	262189	A