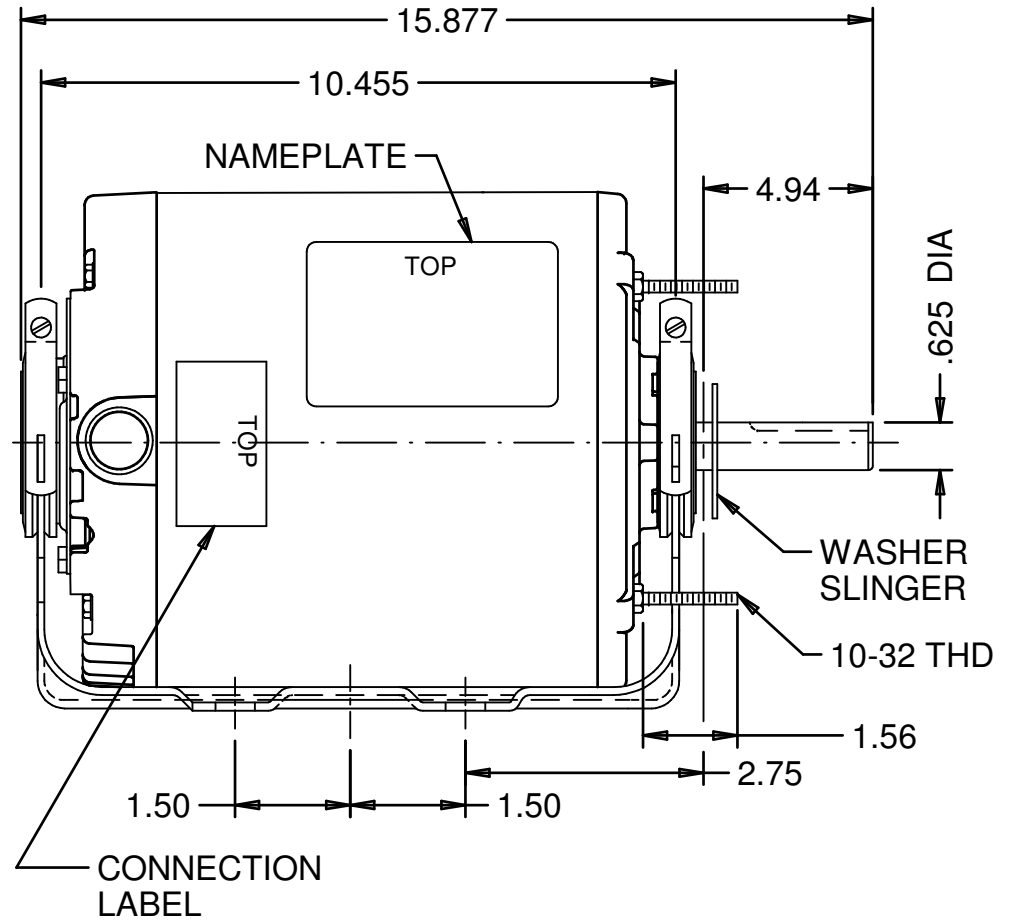
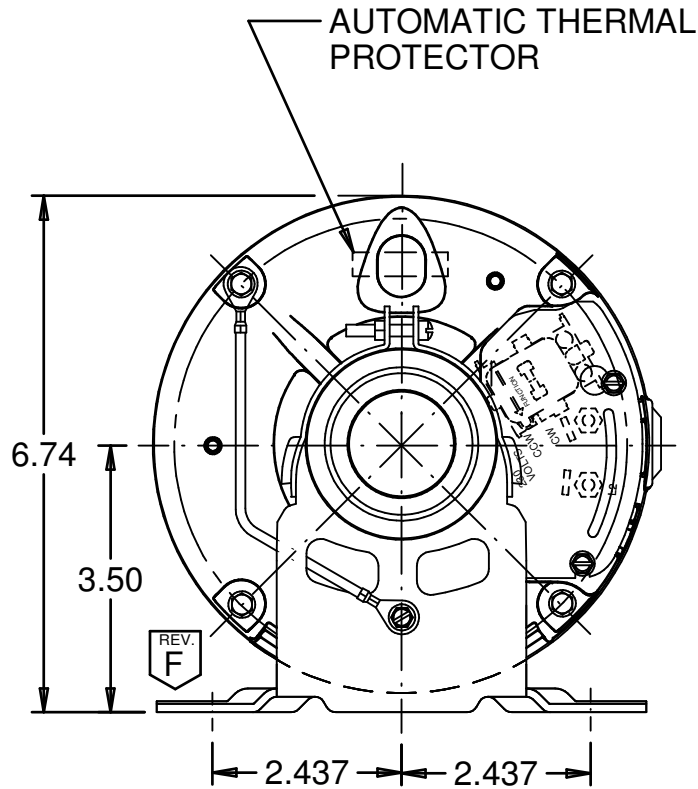


SHAFT KEY TAPED TO MOTOR



NOTES:

- 1.) CAPACITOR CONNECTED BETWEEN BROWN AND ORANGE LEADS.
- 2.) 17.5 MFD/370 VAC CAPACITOR SUPPLIED DETACHED.

NIDEC MOTOR CORPORATION 09-Oct-17

MODEL	REF	CUSTOMER	HP	VOLTS	AMPS	HZ	RPM	ROTATION	CUSTOMER PN		
K63ZZWN-3977		STANDARD	1	208-230/460	5.1/2.6	60	1075	CCW LEAD END REV	2686		
SHEET NUMBER: 1 OF 1 REV: F REVISION DATE: 10-OCT-17 ISSUED BY: C. LUGO REVIEWED BY: F. FLORES ENGINEER APPROVED: B. GAITAN				REVISION RECORD FOR: ECO E29749 CHANGED VIEW GROUND LEAD TO BEHIND BASE LE.				INFORMATION DISCLOSED ON THIS DOCUMENT IS CONSIDERED PROPRIETARY AND SHALL NOT BE REPRODUCED OR DISCLOSED WITHOUT WRITTEN CONSENT OF NIDEC MOTOR CORPORATION ALL DIMENSIONS ARE FOR REFERENCE ONLY UNLESS TOLERANCE IS GIVEN		NIDEC MOTOR CORPORATION TITLE: ASSEMBLED VIEW CODE: V01 ITEM NO.: 271460 SIZE: A	