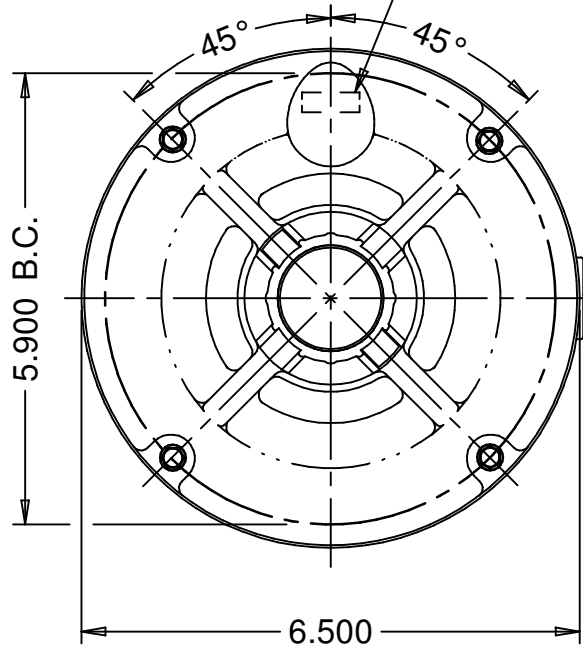
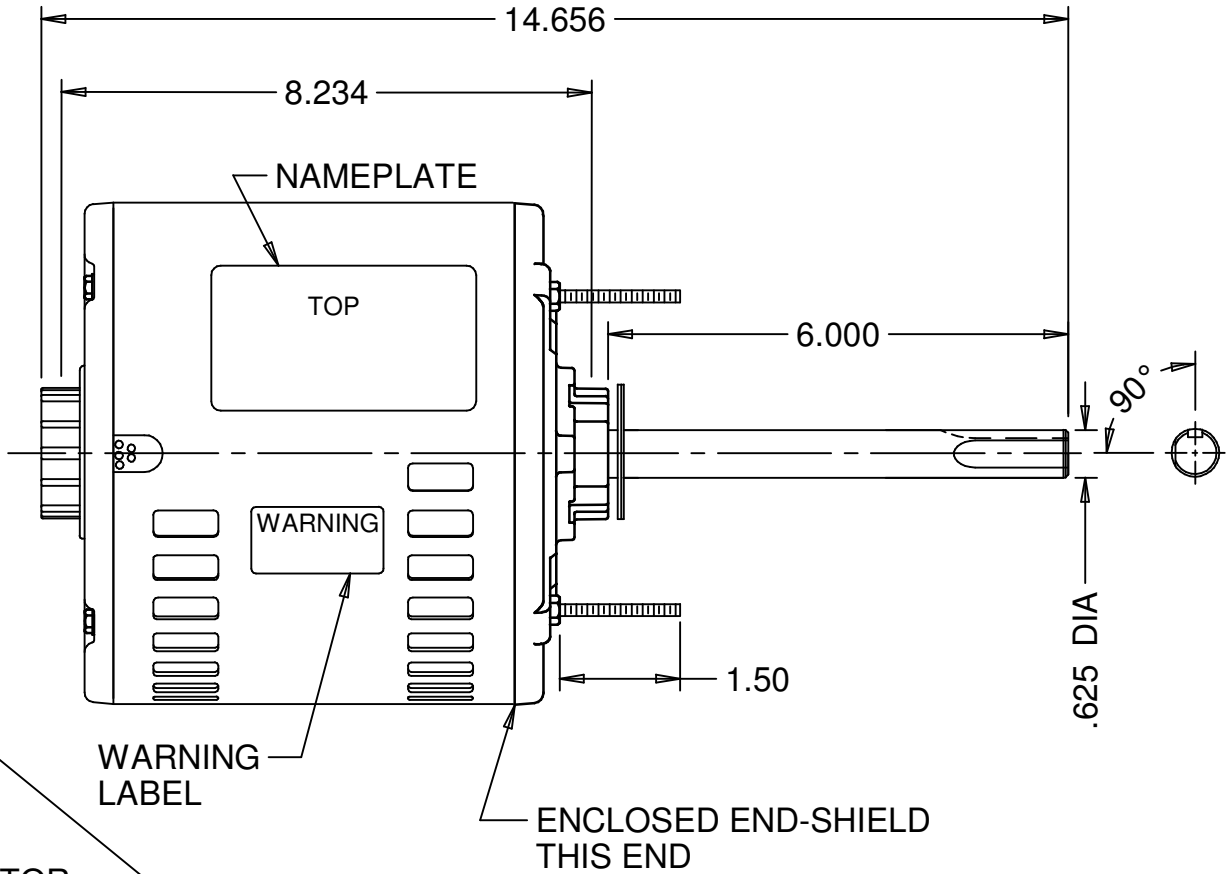


AUTOMATIC THERMAL PROTECTOR



LEADS TO EXTEND 50 INCHES BEYOND MOTOR



NIDEC MOTOR CORPORATION 22-Oct-12

MODEL	REF	CUSTOMER	HP	VOLTS	AMPS	HZ	RPM	ROTATION	CUSTOMER PN
K63ZZWP-4016		STANDARD	3/4	208-230	5.3	60	825	CCW LEAD END REV	3567

SHEET NUMBER	REV	REVISION RECORD FOR: C6406-00
1 OF 1	C	UPDATED "ENGINEER APPROVED" TO N. CALVIN
REVISION DATE		
22-OCT-12		

INFORMATION DISCLOSED ON THIS DOCUMENT IS CONSIDERED PROPRIETARY AND SHALL NOT BE REPRODUCED OR DISCLOSED WITHOUT WRITTEN CONSENT OF NIDEC MOTOR CORPORATION

ALL DIMENSIONS ARE FOR REFERENCE ONLY UNLESS TOLERANCE IS GIVEN

NIDEC MOTOR CORPORATION

TITLE: ASSEMBLED VIEW

CODE: V01

ITEM NO.: 274302

SIZE: A

ISSUED BY	REVIEWED BY	ENGINEER APPROVED	REV.
B. ANDRADE	M. LARGENT	B. GAITAN	C