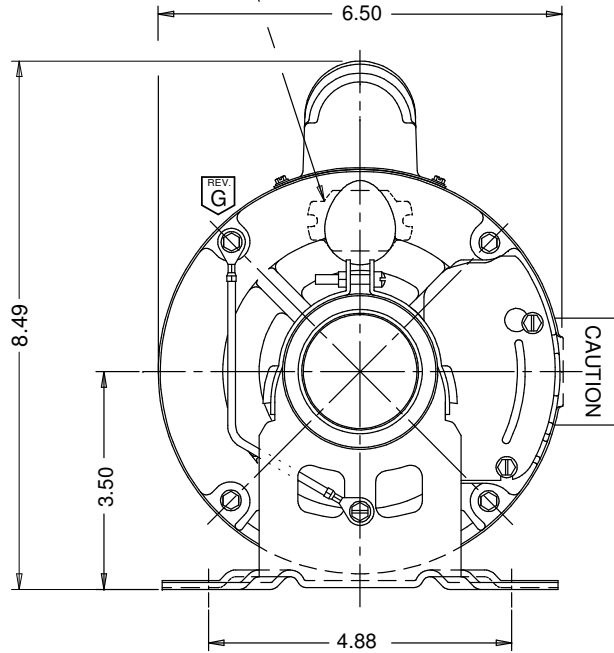
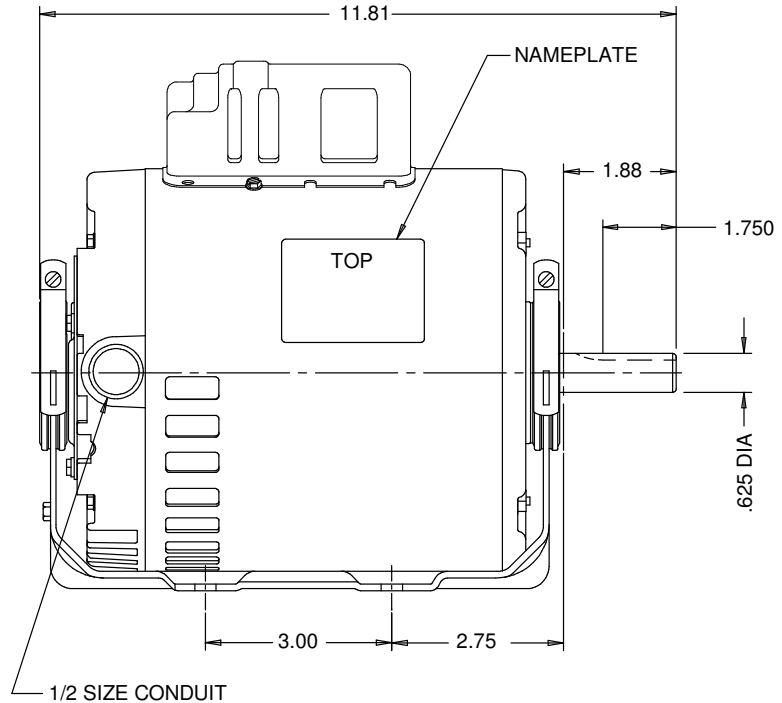


AUTOMATIC THERMAL PROTECTOR



.19 SQ. SHAFT KEY
TAPED TO MOTOR



CONNECTIONS

- L - LOW SPEED
- C - COMMON
- H - HIGH SPD
- 5 - BLACK, 2 - RED

MODEL	REF	CUSTOMER	HP	VOLTS	AMPS	HZ	RPM	ROTATION	BALL BEARING	
C63CXSSH-4583		STANDARD	1.0 / 1/3	115	12.4/6.1	60	1725/1140	CCW LEAD END REV	CUSTOMER PN 2574	
SHEET NUMBER 1 OF 1	REV G	REVISION RECORD FOR: ECO E29748			INFORMATION DISCLOSED ON THIS DOCUMENT IS CONSIDERED PROPRIETARY AND SHALL NOT BE REPRODUCED OR DISCLOSED WITHOUT WRITTEN CONSENT OF NIDEC MOTOR CORPORATION				NIDEC MOTOR CORPORATION	
REVISION DATE	CHANGED VIEW GROUND LEAD TO BEHIND BASE LE.									
03-OCT-17										
ISSUED BY C. LUGO	REVIEWED BY F. FLORES	ENGINEER APPROVED J.I. SALAZAR	TITLE ASSEMBLED VIEW				CODE V01	ITEM NO. 301568	SIZE B	