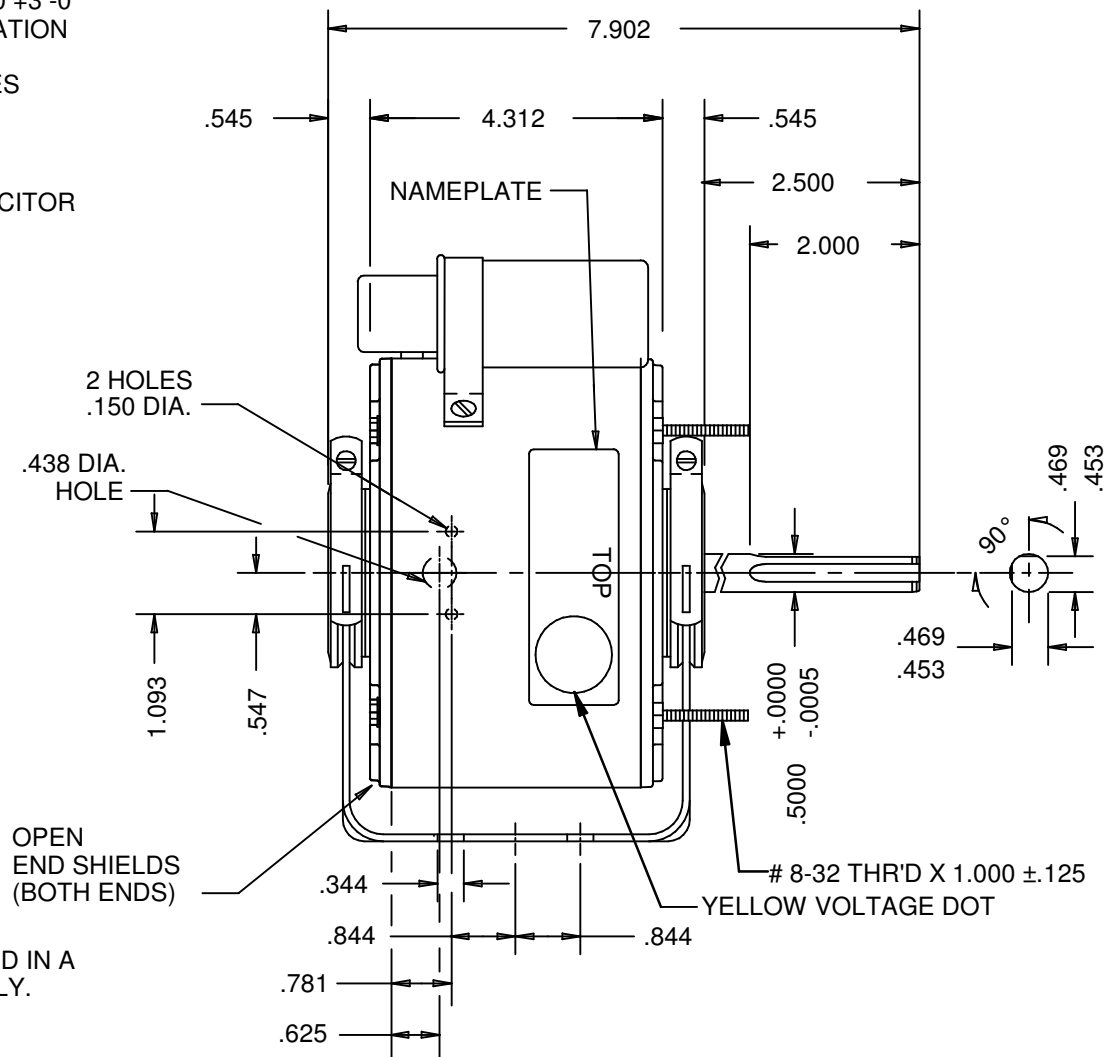
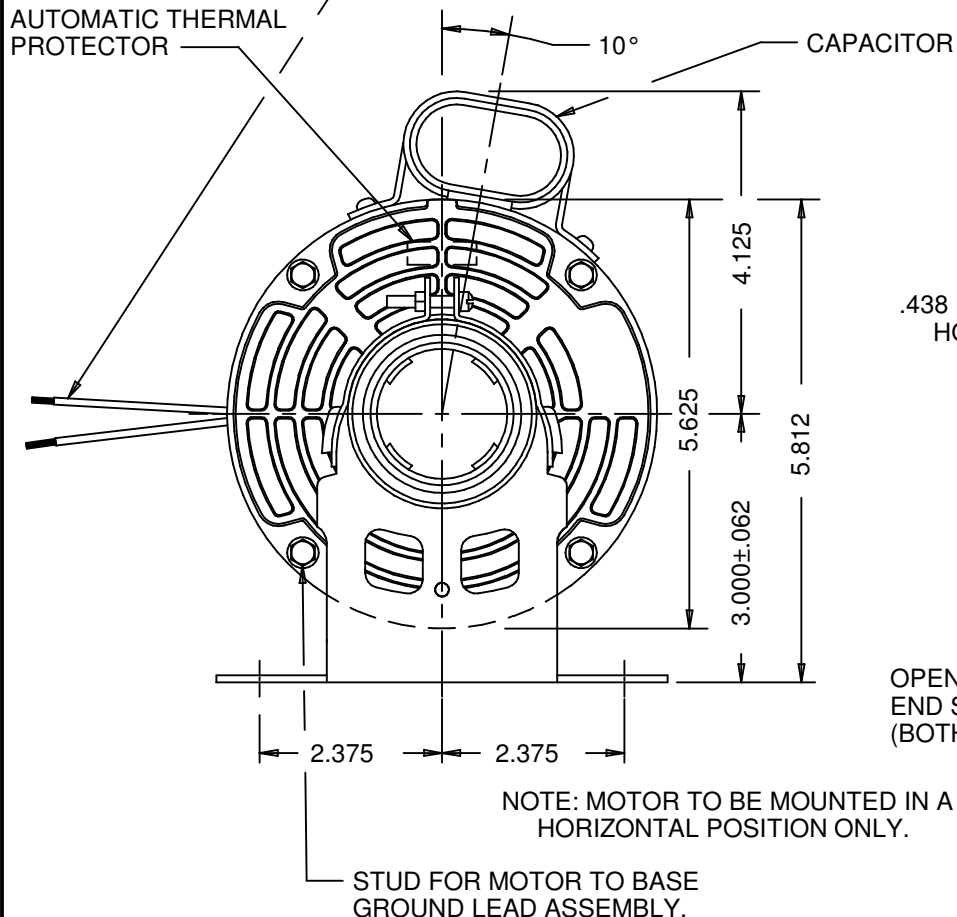


2 LEADS, #12, .062 THICK INSUL.
TO EXTEND BEYOND MOTOR
BLK.=36.000 +3 -0, BLK.=36.000 +3 -0
WITH 1/2" STRIPPED TERMINATION

NOTE: BASE CLAMP ASSEMBLIES
TO BE SHIPPED DETACHED.

AUTOMATIC THERMAL
PROTECTOR



NIDEC MOTOR CORPORATION 16-Oct-12

MODEL	REF	CUSTOMER	HP	VOLTS	AMPS	HZ	RPM	ROTATION	CUSTOMER PN
K55HXSYN-8002		STANDARD	1/4	208/230	1.5	50/60	1625	CW. LEAD END	6129

SHEET NUMBER	REV	REVISION RECORD FOR: C6404-00		
1 OF 1	C	UPDATED ENGINEER APPROVED TO B.GAITAN		
REVISION DATE				
16-OCT-12				
ISSUED BY	REVIEWED BY	ENGINEER APPROVED	REV.	
R. MORALES	M. LARGENT	B. GAITAN	C	

INFORMATION DISCLOSED ON THIS DOCUMENT IS CONSIDERED PROPRIETARY AND SHALL NOT BE REPRODUCED OR DISCLOSED WITHOUT WRITTEN CONSENT OF NIDEC MOTOR CORPORATION

ALL DIMENSIONS ARE FOR REFERENCE ONLY UNLESS TOLERANCE IS GIVEN

TITLE	CODE	ITEM NO.	SIZE
ASSEMBLED VIEW	V01	332972	A

NIDEC MOTOR CORPORATION	
ITEM NO.	332972
SIZE	A