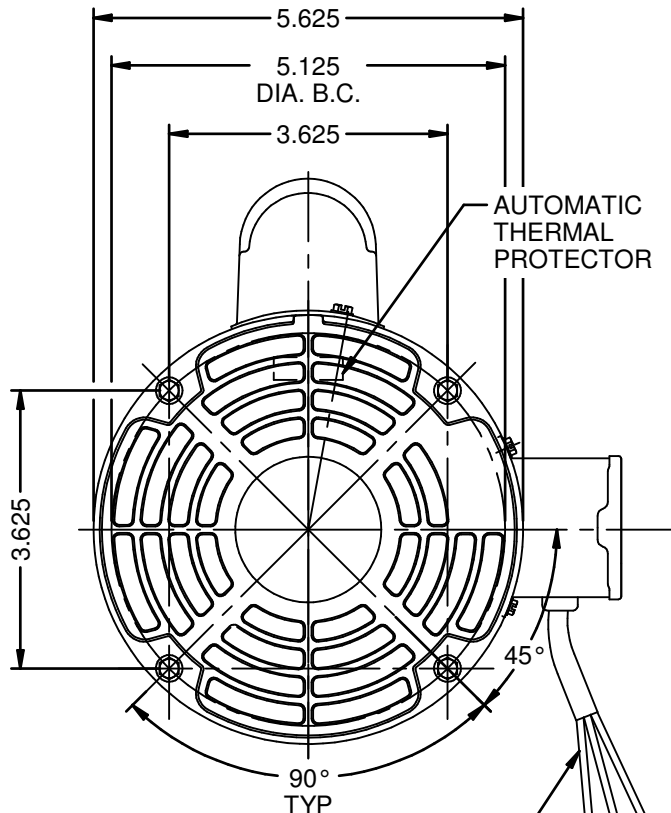
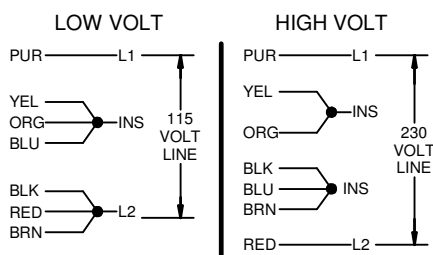
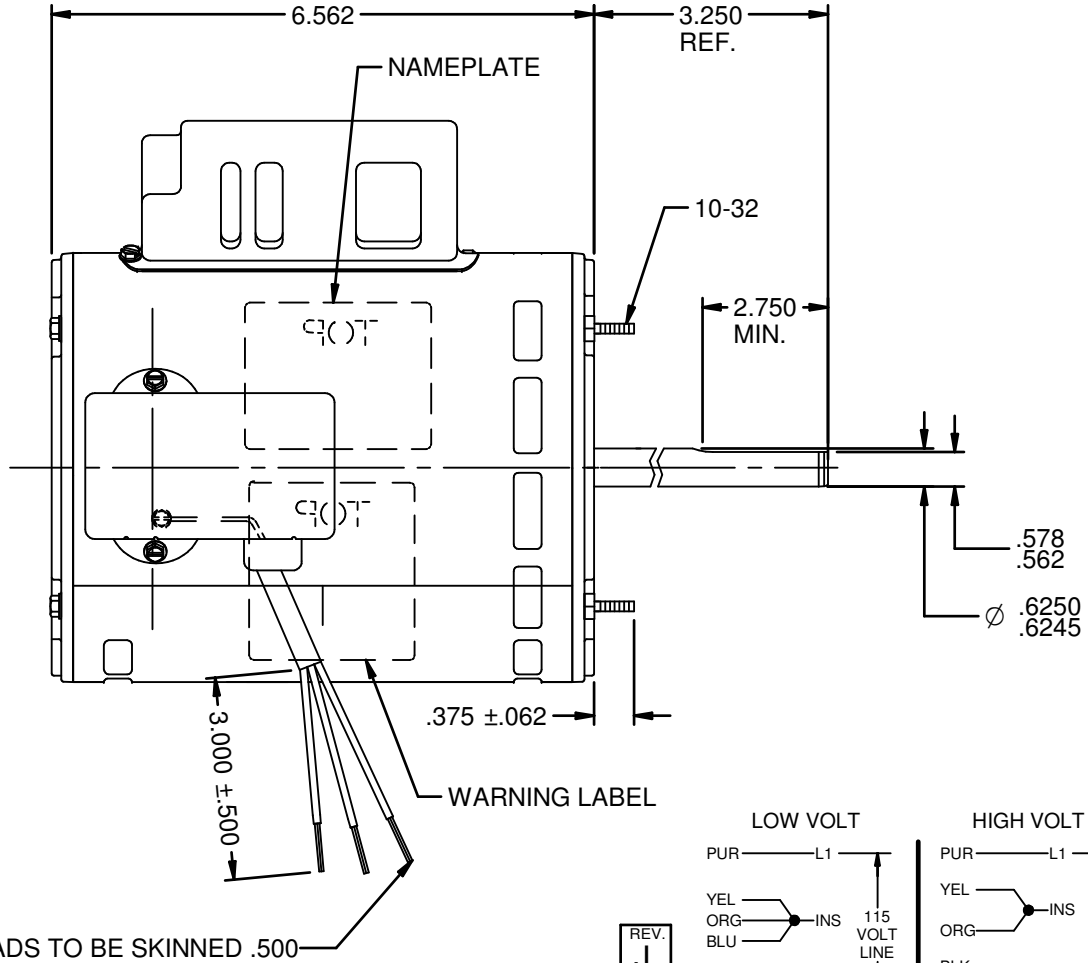


GROUND LEAD ATTACHED TO SHELL ON INSIDE OF CONDUIT BOX



#18, 3 COND. SJT0W CORD 105°C TO EXTEND BEYOND OUTLET BOX 16.000^{+1.000}_{-1.000} (BLACK, WHITE & GREEN)

NOTE: MOTOR TO LEAVE FACTORY CONNECTED FOR 230V OPERATION



NIDEC MOTOR CORPORATION 14-Mar-17

MODEL	REF	CUSTOMER	HP	VOLTS	AMPS	HZ	RPM	ROTATION	CUSTOMER PN
K55HXEPL-7463		STANDARD	1/2	115/230	8.0/4.0	60	1650	CW LEAD END REV	4748

SHEET NUMBER	REV	REVISION RECORD FOR:
1 OF 1	J	E28251
		CHANGED DIAGRAM OF CONNECTIONS.
REVISION DATE		
14-MAR-17		

INFORMATION DISCLOSED ON THIS DOCUMENT IS CONSIDERED PROPRIETARY AND SHALL NOT BE REPRODUCED OR DISCLOSED WITHOUT WRITTEN CONSENT OF NIDEC MOTOR CORPORATION

NIDEC MOTOR CORPORATION

ISSUED BY	REVIEWED BY	ENGINEER APPROVED
B. ANDRADE	L. RODRIGUEZ	B. GAITAN

TITLE	CODE	ITEM NO.	SIZE
ASSEMBLED VIEW	V01	753979	A