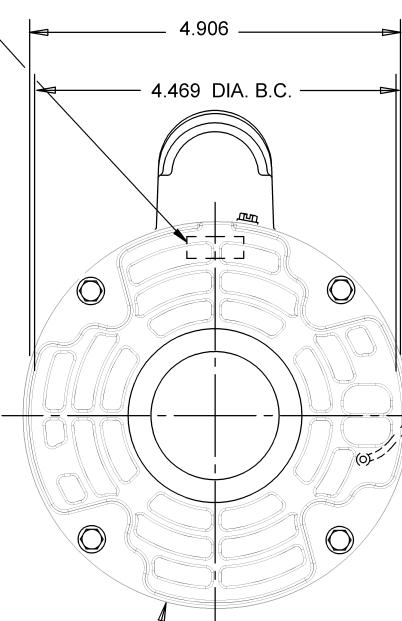


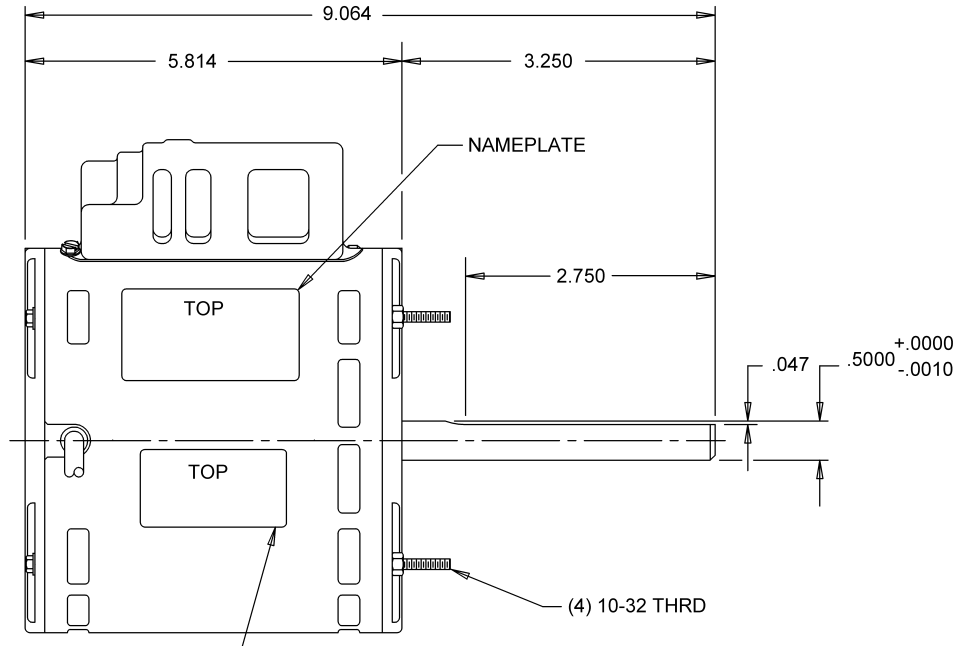
AUTOMATIC THERMAL PROTECTOR



OPEN ENDSHIELD (BOTH ENDS)

LEADS TO BE SKINNED .500

3.000±.500



WARNING LABEL

#18 GA. TYPE SJTOW 105°
3 COND CORD TO EXTEND
15.000±1 BEYOND MOTOR
(WHT, BLK & GREEN)

CONNECTIONS
HIGH - BLACK
COMMON - WHITE
GROUND - GREEN

MODEL		REF	CUSTOMER	HP	VOLTS	AMPS	HZ	RPM	ROTATION	CUSTOMER PN	
K48HXFHP-3834			STANDARD	1/6	115	2.7	60	1650	CW LEAD END	4742	
SHEET NUMBER	REV	REVISION RECORD FOR: C6401-00				INFORMATION DISCLOSED ON THIS DOCUMENT IS CONSIDERED PROPRIETARY AND SHALL NOT BE REPRODUCED OR DISCLOSED WITHOUT WRITTEN CONSENT OF NIDEC MOTOR CORPORATION				NIDEC MOTOR CORPORATION	
1 OF 1	E	UPDATED ENGINEER APPROVED TO B. GAITAN.									
REVISION DATE											
ISSUED BY		REVIEWED BY	ENGINEER APPROVED	REV	TITLE				CODE	ITEM NO.	SIZE
R. MORALES		M. LARGENT	B. GAITAN	E	ASSEMBLED VIEW				V01	754337	B

NIDEC MOTOR CORPORATION 09-Oct-12