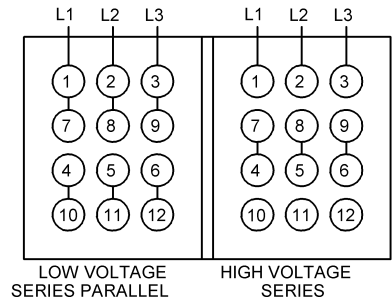


12 LEADS #18, .031 THICK INSUL TO EXTEND BEYOND MOTOR
 6.000 +1 -0 LEADS TO BE NUMBERED 1 THRU 12 AND SKINNED .750 INTERNAL CONNECTION BOX



NIDEC MOTOR CORPORATION 12-Oct-12

MODEL	REF	CUSTOMER	HP	VOLTS	AMPS	HZ	RPM	ROTATION	CUSTOMER PN
P63SYFEZ-4089		WHOLESALE - INDUSTRIAL	1/2	208-230/460 190/380	2.4/1.2	60/50	1140/950	REVERSIBLE	SV12SA3DR

SHEET NUMBER 1 OF 1	REV F	REVISION RECORD FOR: C6384-14		
		UPDATED VIEW OF CONDUIT PLUG.		
REVISION DATE				
12-OCT-12				

INFORMATION DISCLOSED ON THIS DOCUMENT IS CONSIDERED PROPRIETARY AND SHALL NOT BE REPRODUCED OR DISCLOSED WITHOUT WRITTEN CONSENT OF NIDEC MOTOR CORPORATION

NIDEC MOTOR CORPORATION

ISSUED BY B. ANDRADE	REVIEWED BY M. SCHUETTE	ENGINEER APPROVED B. GAITAN	TITLE ASSEMBLED VIEW	CODE V01	ITEM NO. 756522	SIZE A
--------------------------------	-----------------------------------	---------------------------------------	--------------------------------	--------------------	---------------------------	------------------