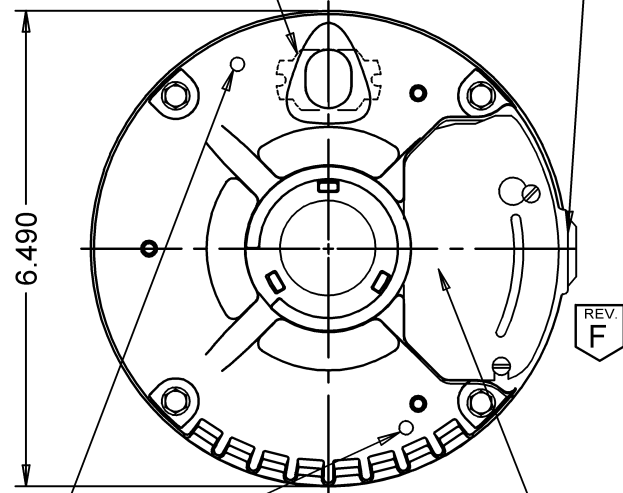


AUTOMATIC  
THERMAL  
PROTECTOR

CONDUIT PLUG



6.490

REV  
F

(2) .188 DIA DRAIN HOLES  
AND PLUGS (BOTH ENDS)

12 LEADS #18, .031 THICK INSUL TO  
EXTEND 6.000 +1-0, MEASURING  
FROM INTERNAL CONNECTION BOX,  
LEADS TO BE NUMBERED 1-12 AND  
SKINNED .750.

NAMEPLATE

10.374

1.88

TOP

1.750  
FLAT

+ .0000  
-.0005  
DIA.  
.6250

2 FLATS  
90° APART

.594  
.578

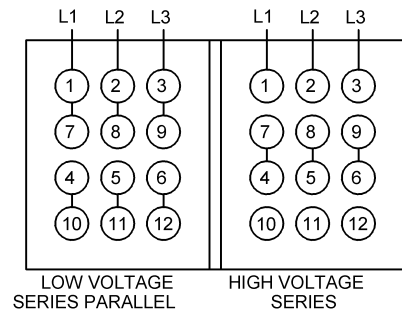
WASHER  
SLINGER

PLUG REMOVAL LABEL

1/2-14 NPSM THD. CONDUIT HOLE

LEAD END

LEAD CONNECTIONS



LOW VOLTAGE  
SERIES PARALLEL

HIGH VOLTAGE  
SERIES

S.F

1.15/1.0

NIDEC MOTOR CORPORATION 12-Oct-12

MODEL	REF	CUSTOMER	HP	VOLTS	AMPS	HZ	RPM	ROTATION	CUSTOMER PN
P63SYFHC-4134		USEM	1/3	208-230/460 190/380	1.9/0.9	60/50	1140/950	REVERSIBLE	SV13SA3DR

SHEET NUMBER	REV	REVISION RECORD FOR: C6384-14
1 OF 1	F	UPDATED VIEW OF CONDUIT PLUG.
REVISION DATE		
12-OCT-12		

INFORMATION DISCLOSED ON THIS DOCUMENT IS CONSIDERED PROPRIETARY AND SHALL NOT BE REPRODUCED OR DISCLOSED WITHOUT WRITTEN CONSENT OF NIDEC MOTOR CORPORATION

ALL DIMENSIONS ARE FOR REFERENCE ONLY UNLESS TOLERANCE IS GIVEN

**NIDEC MOTOR CORPORATION**

ISSUED BY	REVIEWED BY	ENGINEER APPROVED	TITLE	CODE	ITEM NO.	SIZE
B. ANDRADE	M. SCHUETTE	T. BOSSALLER	ASSEMBLED VIEW	V01	756524	A