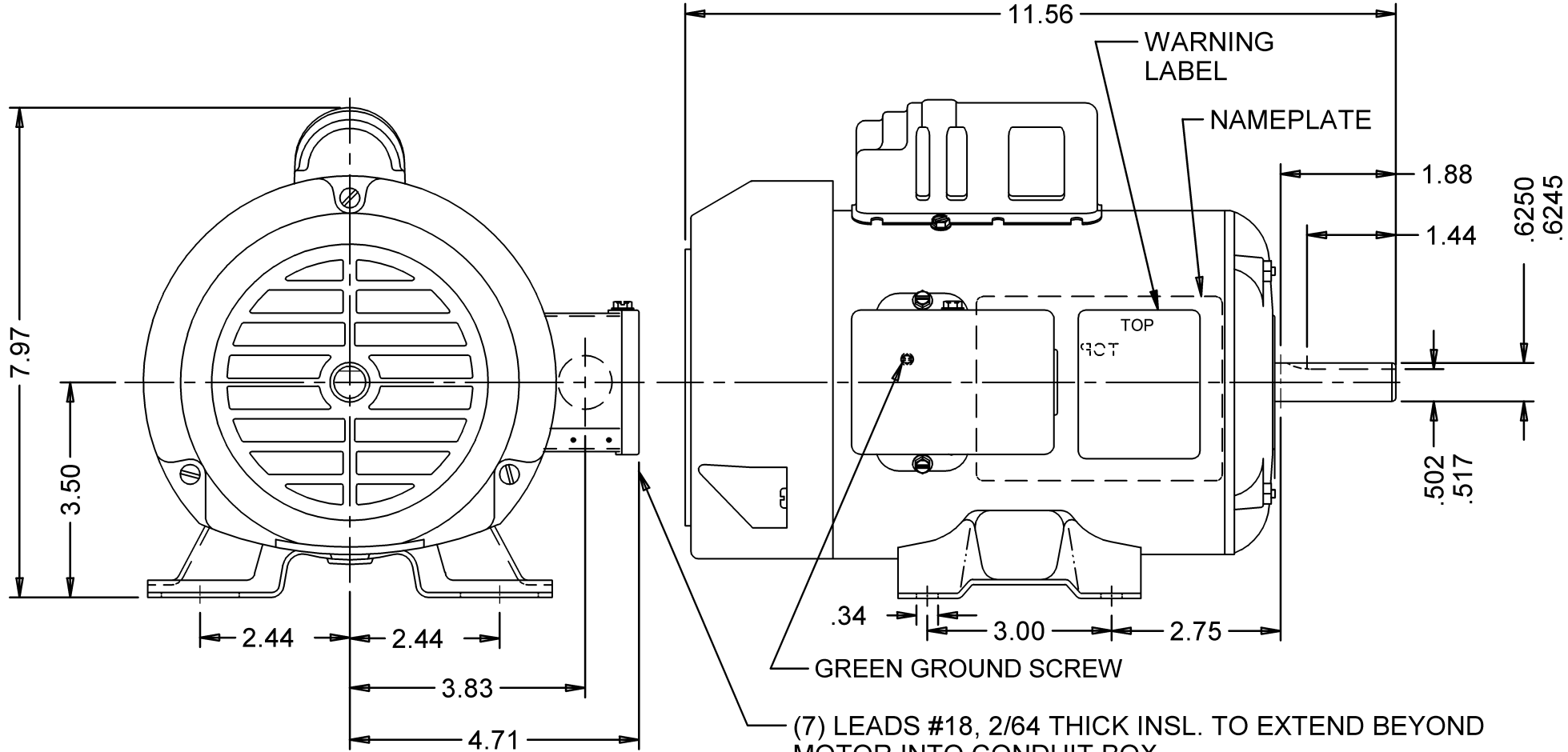


SHAFT KEY TAPED TO MOTOR



(7) LEADS #18, 2/64 THICK INSL. TO EXTEND BEYOND MOTOR INTO CONDUIT BOX
 BLACK=6.000±1.000, RED=6.000±1.000, BROWN=6.000±1.000
 BLUE=6.000±1.000, YELLOW=6.000±1.000
 ORANGE=6.000±1.000, WHITE=6.000±1.000
 LEADS TO BE SKINNED .750±.250

REV. C

NIDEC MOTOR CORPORATION 14-Aug-12

MODEL	REF	CUSTOMER	HP	VOLTS	AMPS	HZ	RPM	ROTATION	CUSTOMER PN
C55KXKFN-4903	M22451	USEM	1/2	115/208-230	8.0/3.8-4.0	60	3450	CW LEAD END REV.	T12CM1J

SHEET NUMBER	REV	REVISION RECORD FOR:
1 OF 1	C	C6077-00
		CHANGED ROTATION WAS REVERSIBLE
REVISION DATE		
14-AUG-12		

INFORMATION DISCLOSED ON THIS DOCUMENT IS CONSIDERED PROPRIETARY AND SHALL NOT BE REPRODUCED OR DISCLOSED WITHOUT WRITTEN CONSENT OF NIDEC MOTOR CORPORATION

NIDEC MOTOR CORPORATION

ALL DIMENSIONS ARE FOR REFERENCE ONLY UNLESS TOLERANCE IS GIVEN

ISSUED BY	REVIEWED BY	ENGINEER APPROVED
R. MORALES	M. SCHUETTE	M. SCHUETTE

TITLE	CODE	ITEM NO.	SIZE
ASSEMBLED VIEW	V01	764852	A