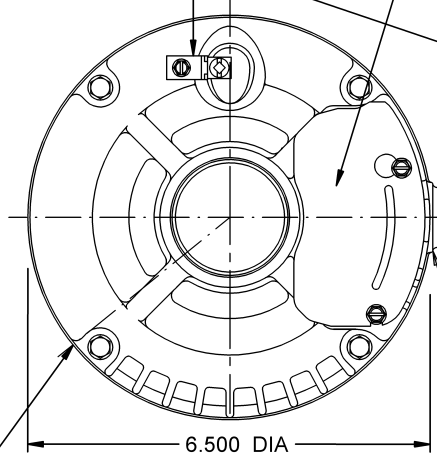
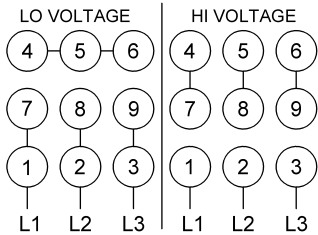


9 LEADS TO EXTEND 4.000 +2.000, -0.000 INCHES BEYOND TERMINAL COVER AND TUCKED UNDER TERMINAL COVER. WRAP WITH A CABLE TIE. LEADS TO BE SKINNED .750

GROUND LUG



SEAM WELD

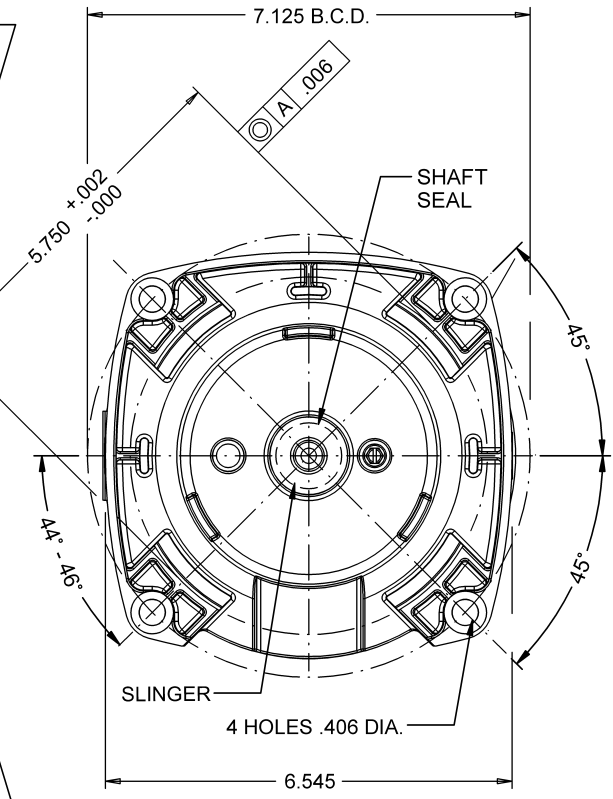
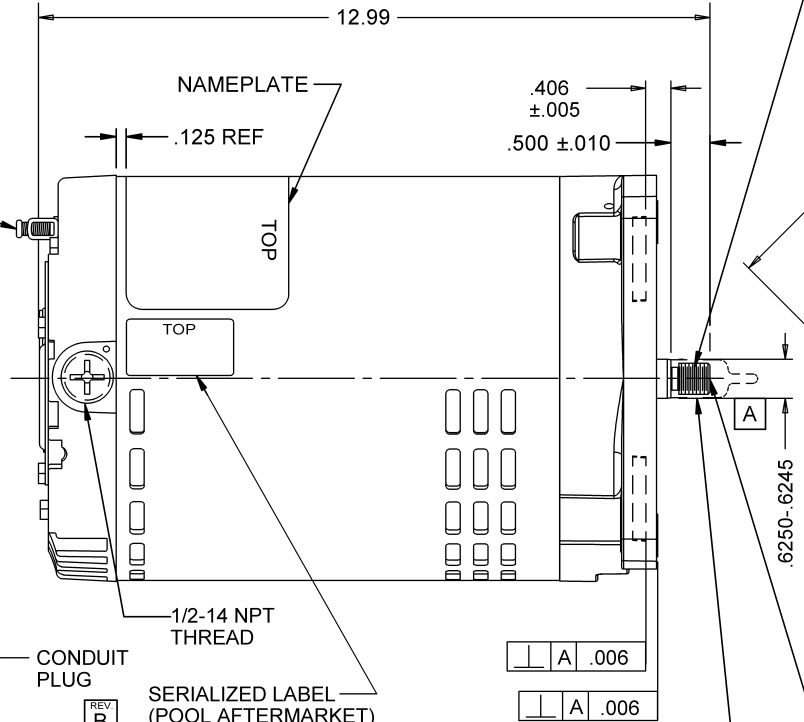


TO REVERSE ROTATION, INTERCHANGE ANY TWO LINE LEADS.
WITH ABC PHASE SEQUENCE
PHASE A - LINE 1
PHASE B - LINE 2
PHASE C - LINE 3
ROTATION: CW LEAD END

NOTES:

- 1.) MOTOR TO BE SHIPPED CONNECTED FOR 230 VOLTS (LO VOLTS).
- 2.) SHAFT EXTENSION 303 STAINLESS STEEL.

1/2-20 UNF-2A RH THREAD



1/4-20 UNC 2B, LH INTERNAL THRD. .625 IN. DEEP MIN.

MODEL	REF	CUSTOMER	HP	VOLTS	AMPS	HZ	RPM
P63GEP-4520		POOL AFTERMARKET	3.0	208-230/460		60/50	3450/2850
SHEET NUMBER	REV	REVISION RECORD FOR: C7458-07		INFORMATION DISCLOSED ON THIS DOCUMENT IS CONSIDERED PROPRIETARY AND SHALL NOT BE REPRODUCED OR DISCLOSED WITHOUT WRITTEN CONSENT OF NIDEC MOTOR CORPORATION			
1 OF 1	B	ADDED SERIALIZED LABEL.					
REVISION DATE							
ISSUED BY	REVIEWED BY	ENGINEER APPROVED					
E. VICENCIO	J. SCHRADER	J. SCHRADER					

S.F.	S.F. AMPS
1.15/1.00	9.6-9.4/4.7
ROTATION	CUSTOMER PN
CW LEAD END-REV	EH755

INFORMATION DISCLOSED ON THIS DOCUMENT IS CONSIDERED PROPRIETARY AND SHALL NOT BE REPRODUCED OR DISCLOSED WITHOUT WRITTEN CONSENT OF NIDEC MOTOR CORPORATION

NIDEC MOTOR CORPORATION

ALL DIMENSIONS ARE FOR REFERENCE ONLY UNLESS TOLERANCE IS GIVEN

NIDEC MOTOR CORPORATION 20-Apr-13

TITLE
ASSEMBLED VIEW

CODE	ITEM NO.	SIZE
V01	770357	B