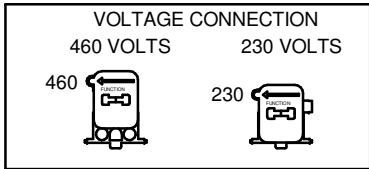
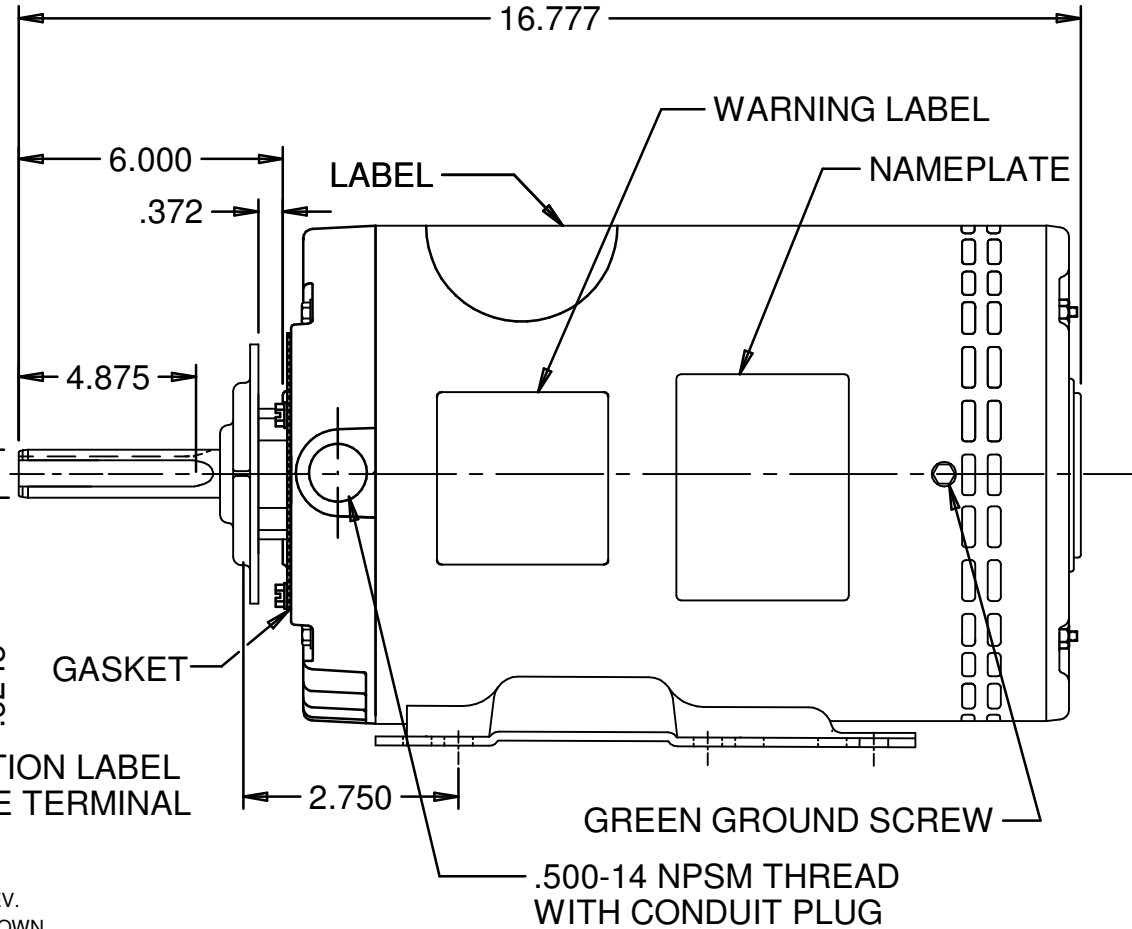
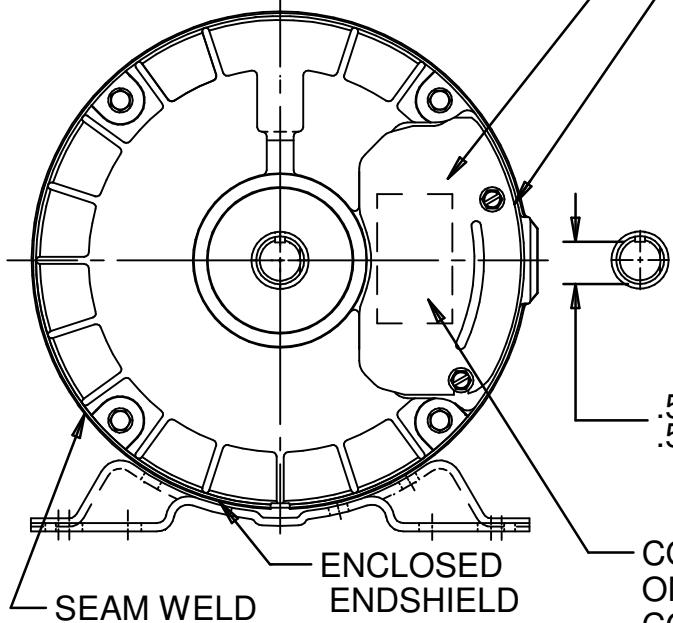


REV.
1

SHAFT KEY TAPED TO MOTOR

TERMINAL COVER
GASKET

THERMOSTAT LEADS TO EXTEND
4.0 + 2.0 INCHES BEYOND TERMINAL
OPENING IN ENDSHIELD.



ROTATION: CW LE REV.
WHEN PHASED AS SHOWN.

- L1 -- PHASE A
- L2 -- PHASE B
- L3 -- PHASE C

INVERTER DUTY-NEMA 31

PROTECTOR
THERMOSTATS

NIDEC MOTOR CORPORATION 28-Jul-14

MODEL	REF	CUSTOMER	HP	VOLTS	AMPS	HZ	RPM	ROTATION	CUSTOMER PN
J63WZBKK-0199		WHOLESALE- HAC	2	208-230/460	7.8-7.8/3.9	60	1140	REVERSIBLE	1822V

SHEET NUMBER	REV	REVISION RECORD FOR: D1618-00	
1 OF 1	1	ADDED NOTE	
REVISION DATE			
28-JUL-14			

INFORMATION DISCLOSED ON THIS DOCUMENT IS CONSIDERED PROPRIETARY AND SHALL NOT BE REPRODUCED OR DISCLOSED WITHOUT WRITTEN CONSENT OF NIDEC MOTOR CORPORATION

NIDEC MOTOR CORPORATION

ISSUED BY			REVIEWED BY	ENGINEER APPROVED	TITLE	CODE	ITEM NO.	SIZE
I. DE LEON			M. GUZMAN	B. GAITAN	ASSEMBLED VIEW	V01	776061	A