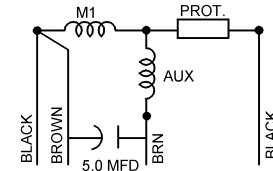
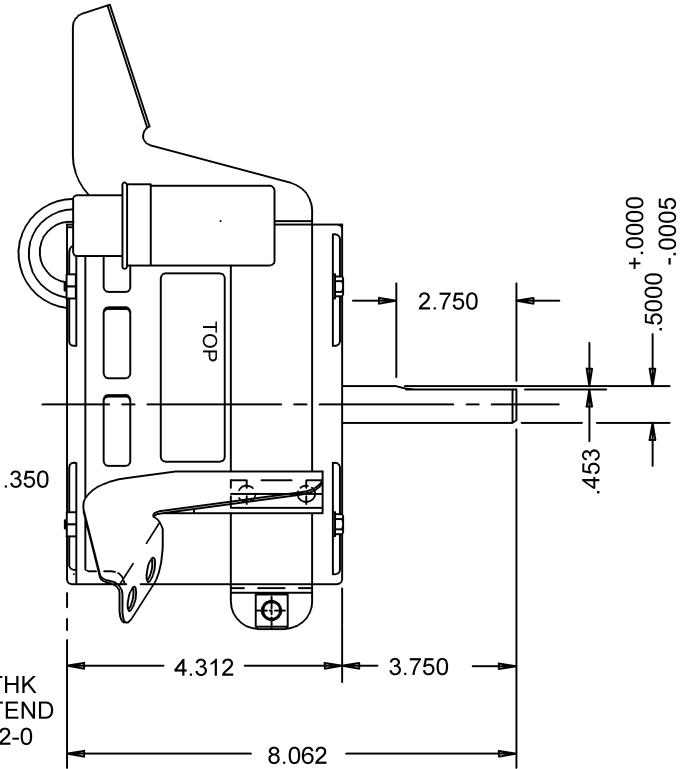
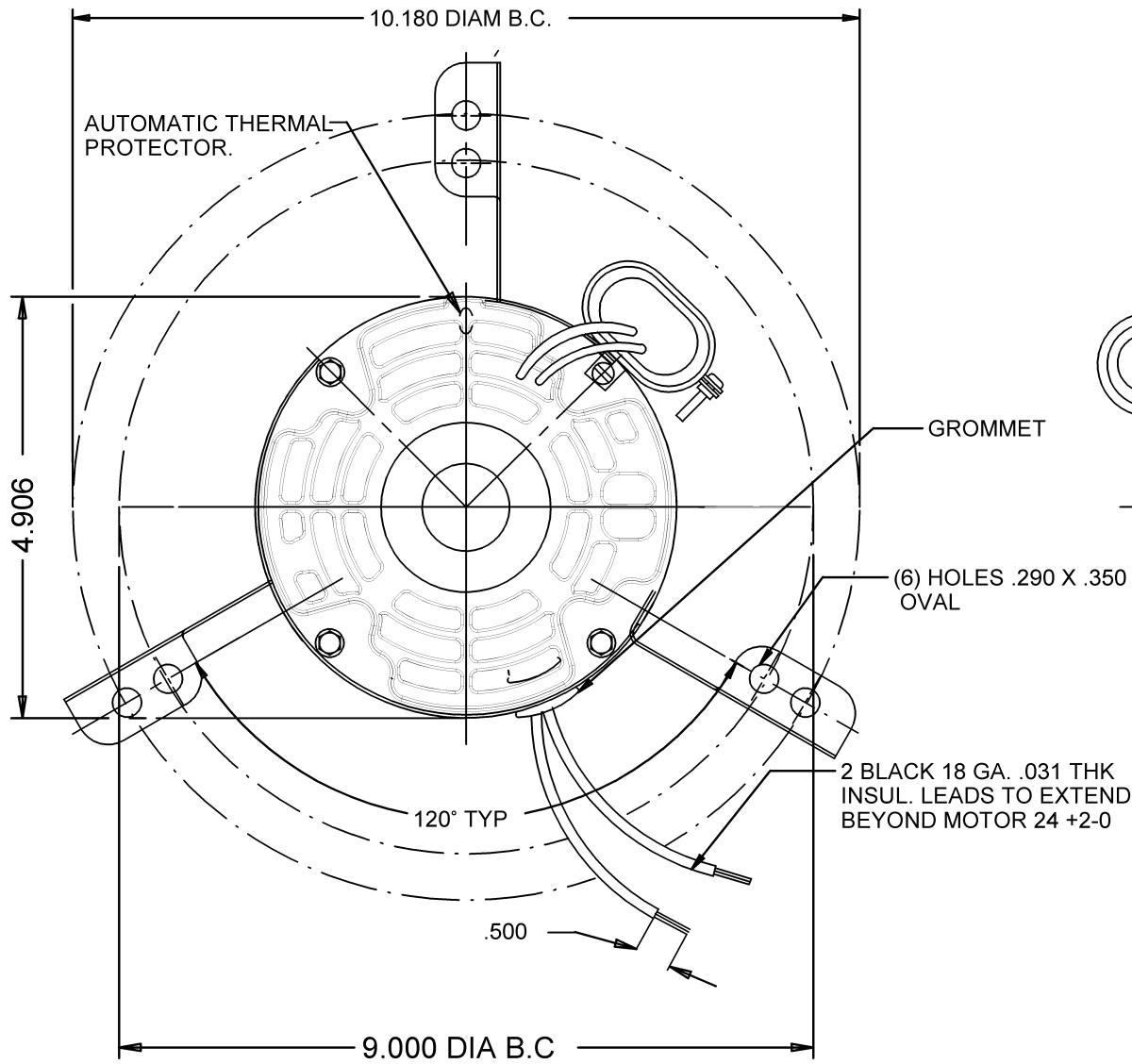


KIT 43 E-BAND SUPPORT ASM
SHOWN MOUNTED, SUPPLIED
WITH MOTOR.



NIDEC MOTOR CORPORATION 02-Nov-12

MODEL	REF	CUSTOMER	HP	VOLTS	AMPS	HZ	RPM	ROTATION	CUSTOMER PN
K048HXWGL-4383	A27360	WHOLESALE-HAC	1/5	115	3.0	60	1050	CCW LEAD END	2867P

SHEET NUMBER	REV	REVISION RECORD FOR: C6402-00	
1 OF 1	D	UPDATED ENGINEER APPROVED TO B. GAITAN	
REVISION DATE			
02-NOV-12			
ISSUED BY	REVIEWED BY	ENGINEER APPROVED	REV
R. MORALES	M. LARGENT	M. LARGENT	D

INFORMATION DISCLOSED ON THIS DOCUMENT IS CONSIDERED PROPRIETARY AND SHALL NOT BE REPRODUCED OR DISCLOSED WITHOUT WRITTEN CONSENT OF NIDEC MOTOR CORPORATION

NIDEC MOTOR CORPORATION

ALL DIMENSIONS ARE FOR REFERENCE ONLY UNLESS TOLERANCE IS GIVEN			
TITLE	CODE	ITEM NO.	SIZE
ASSEMBLED VIEW	V01	776603	A