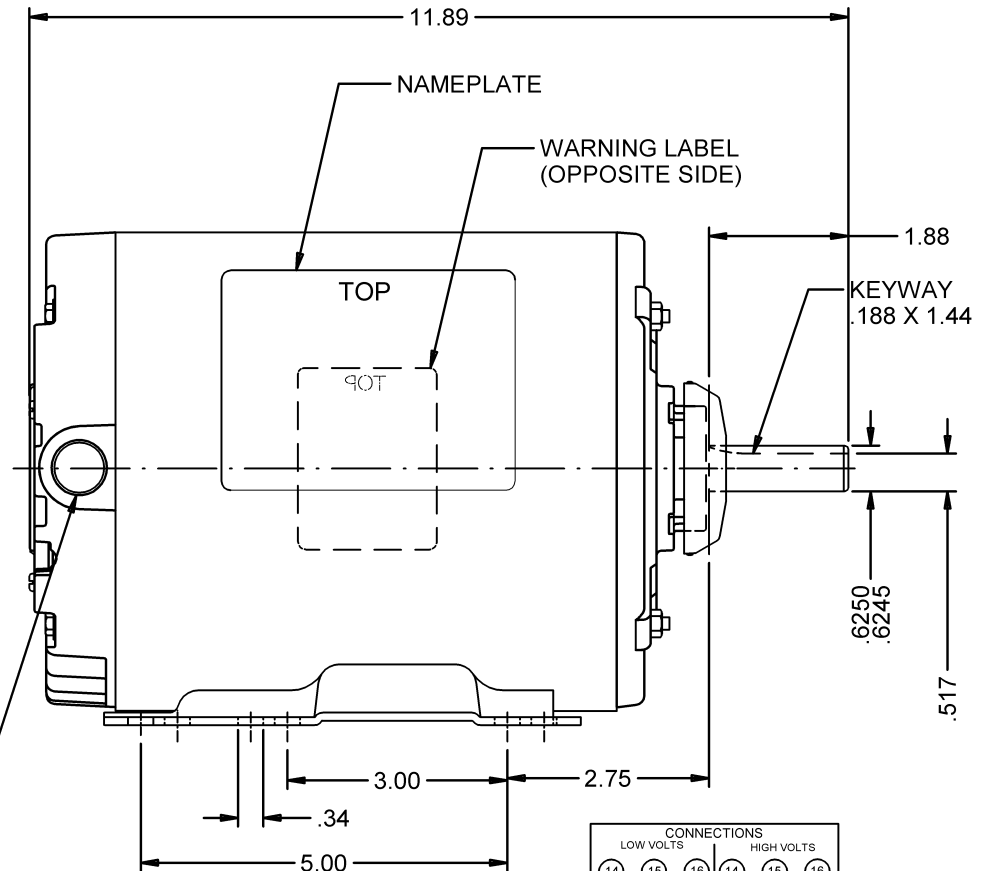
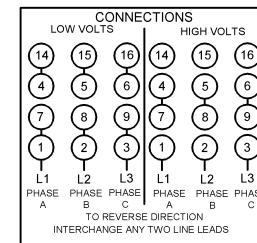


12 LEADS #18, .031 THICK INSUL TO EXTEND BEYOND MOTOR
 6.000 ± 1.000 LEADS TO BE NUMBERED 1 THRU 9 AND 14 THRU 16 AND SKINNED .750. INTERNAL CONNECTION BOX



1/2-14 NPSM CONDUIT PLUG



REV E

NIDEC MOTOR CORPORATION 23-Jul-13

SHAFT KEY TAPED TO MOTOR

S.F

1.15/1.0

MODEL	REF	CUSTOMER	HP	VOLTS	AMPS	HZ	RPM	ROTATION	CUSTOMER PN
P63SYFGH-4792		USEM	1.0	208-230/460 190/380	3.1/1.5	60/50	1725/1425	REVERSIBLE	FD1EA2D

SHEET NUMBER 1 OF 1	REV E	REVISION RECORD FOR: C8067-00	
		CHANGED OF DIAGRAM OF CONNECTIONS.	
REVISION DATE 24-JUL-13		ISSUED BY A. SANCHEZ	REVIEWED BY J. JUAREZ
		ENGINEER APPROVED T. BOSSALLER	

INFORMATION DISCLOSED ON THIS DOCUMENT IS CONSIDERED PROPRIETARY AND SHALL NOT BE REPRODUCED OR DISCLOSED WITHOUT WRITTEN CONSENT OF NIDEC MOTOR CORPORATION

NIDEC MOTOR CORPORATION

ALL DIMENSIONS ARE FOR REFERENCE ONLY UNLESS TOLERANCE IS GIVEN

TITLE ASSEMBLED VIEW		CODE V01	ITEM NO. 779015	SIZE A
--------------------------------	--	--------------------	---------------------------	------------------