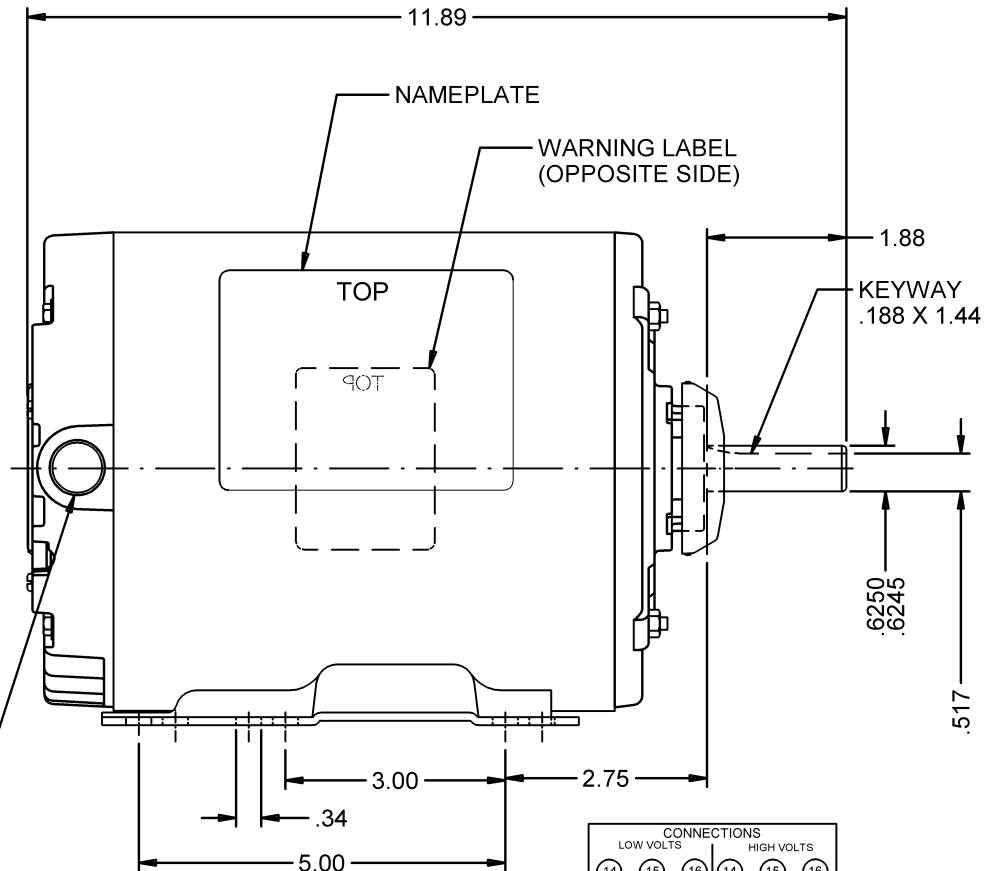
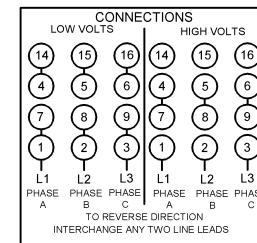


12 LEADS #18, .031 THICK INSUL TO EXTEND BEYOND MOTOR
 6.000 ± 1.000 LEADS TO BE NUMBERED 1 THRU 9 AND 14 THRU 16 AND SKINNED .750. INTERNAL CONNECTION BOX



1/2-14 NPSM CONDUIT PLUG



REV. E

NIDEC MOTOR CORPORATION 23-Jul-13

SHAFT KEY TAPED TO MOTOR

S.F

MODEL	REF	CUSTOMER	HP	VOLTS	AMPS	HZ	RPM	ROTATION	CUSTOMER PN
P63SYFGG-4793		USEM	1 1/2	208-230/460 190/380	4.7/2.3	60/50	1725/1425	REVERSIBLE	FD32EA2D

SHEET NUMBER	REV	REVISION RECORD FOR: C8067-00
1 OF 1	E	CHANGED DIAGRAM OF CONNECTIONS.
REVISION DATE		
24-JUL-13		
ISSUED BY	REVIEWED BY	ENGINEER APPROVED
A. SANCHEZ	J. JUAREZ	T. BOSSALLER

INFORMATION DISCLOSED ON THIS DOCUMENT IS CONSIDERED PROPRIETARY AND SHALL NOT BE REPRODUCED OR DISCLOSED WITHOUT WRITTEN CONSENT OF NIDEC MOTOR CORPORATION

NIDEC MOTOR CORPORATION

ALL DIMENSIONS ARE FOR REFERENCE ONLY UNLESS TOLERANCE IS GIVEN

TITLE	CODE	ITEM NO.	SIZE
ASSEMBLED VIEW	V01	779016	A