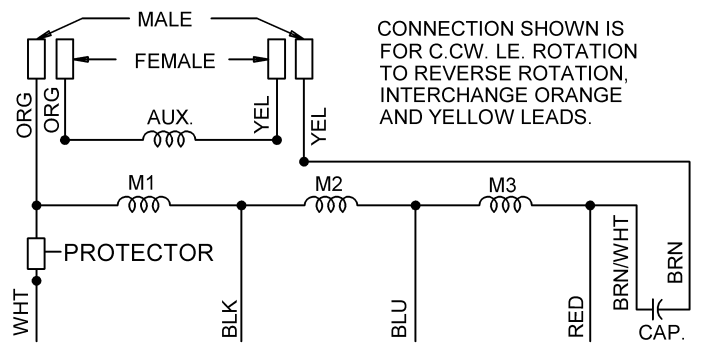


COLOR CODE
 WHITE-COMMON
 BLACK-HIGH
 BLUE-MEDIUM
 RED-LOW
 BROWN-CAPACITOR



CONNECTION SHOWN IS FOR C.C.W. LE. ROTATION TO REVERSE ROTATION, INTERCHANGE ORANGE AND YELLOW LEADS.

USE WITH 15.0 MFD
 370-VAC CAPACITOR

NIDEC MOTOR CORPORATION 28-May-13

MODEL	REF	CUSTOMER	HP	VOLTS	AMPS	HZ	RPM	ROTATION	CUSTOMER PN
K55HXWPY-1412		WHOLESALE- HAC	3/4	115	9.5	60	1075/3 SPD	CCW LEAD END REV.	8904

SHEET NUMBER	REV	REVISION RECORD FOR:	ITEM NO.
1 OF 1	C	STRAIGHT TERMINALS ON BRN LEADS WAS WITHOUT INSULATION. REMOVED EMERSON LABEL FROM SIDE VIEW OF MOTOR.	C7693-00
REVISION DATE			
29- MAY-13			

INFORMATION DISCLOSED ON THIS DOCUMENT IS CONSIDERED PROPRIETARY AND SHALL NOT BE REPRODUCED OR DISCLOSED WITHOUT WRITTEN CONSENT OF NIDEC MOTOR CORPORATION

NIDEC MOTOR CORPORATION

ISSUED BY	REVIEWED BY	ENGINEER APPROVED
R. GUZMAN	M. LARGENT	B. GAITAN

TITLE	CODE	ITEM NO.	SIZE
ASSEMBLED VIEW	V01	781135	A