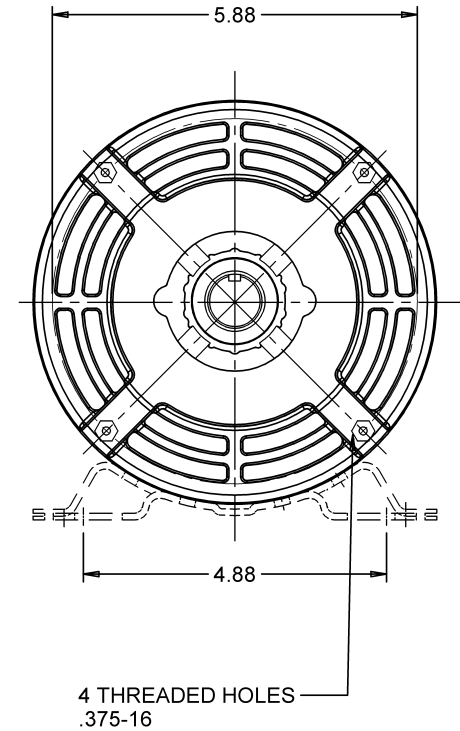
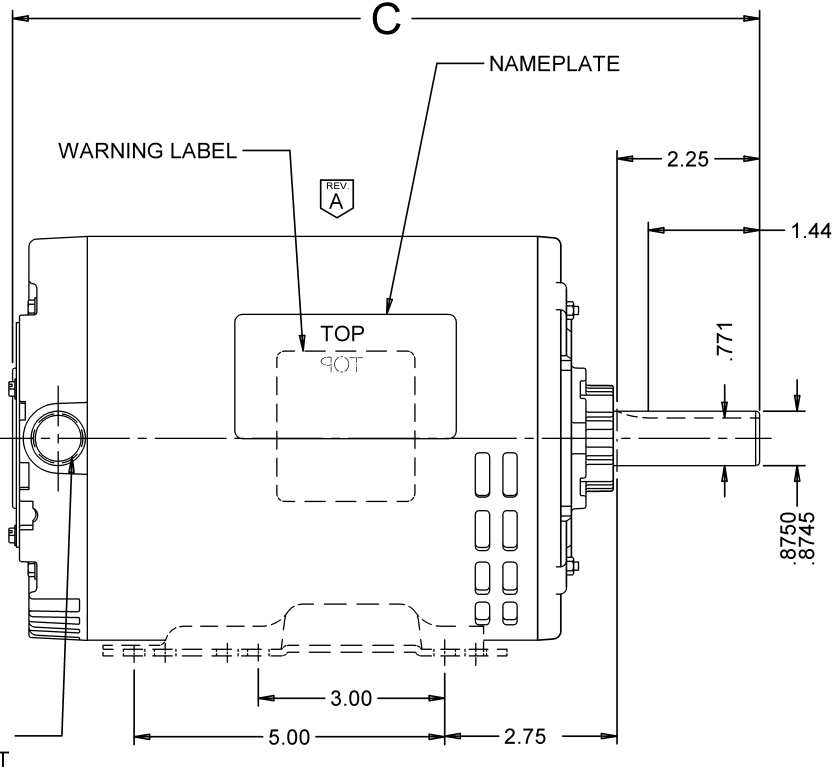
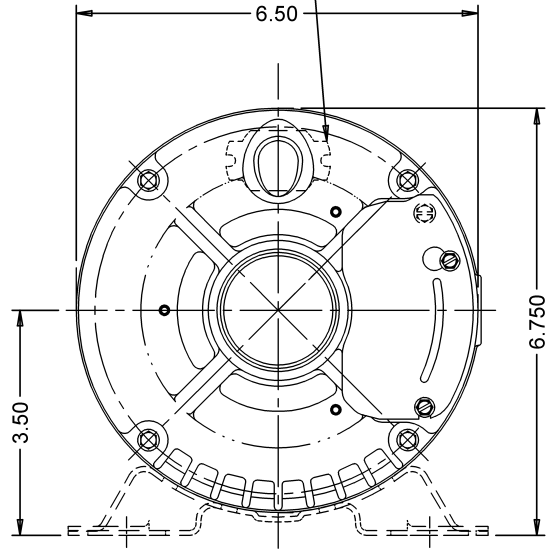


THERMAL PROTECTOR  
(IF REQD)



VAR	MODEL	CATALOG NO.	C	HP	VOLTS	HZ	RPM	BASE REQUIREMENT	SF	PROTECTOR
001	P63EJY-4840	D1P2DHZ	13.75	1	208-230/460	60&50	1725/1425	YES	1.15	NONE

MODEL		REF	CUSTOMER		HP	VOLTS	AMPS	HZ	RPM	ROTATION	CUSTOMER PN	
										ROTATION: REVERSIBLE		
SHEET NUMBER	REV	REVISION RECORD FOR: C4793-00					INFORMATION DISCLOSED ON THIS DOCUMENT IS CONSIDERED PROPRIETARY AND SHALL NOT BE REPRODUCED OR DISCLOSED WITHOUT WRITTEN CONSENT OF NIDEC MOTOR CORPORATION				NIDEC MOTOR CORPORATION	
1 OF 1	A	CHANGED POSITION OF WARNING LABEL.										
REVISION DATE												
ISSUED BY		REVIEWED BY	ENGINEER APPROVED		TITLE		CODE	ITEM NO.	SIZE			
B. ANDRADE		B. CAMMACK	B. CAMMACK		ASSEMBLED VIEW		V01	782221	B			

NIDEC MOTOR CORPORATION 02-Dec-11