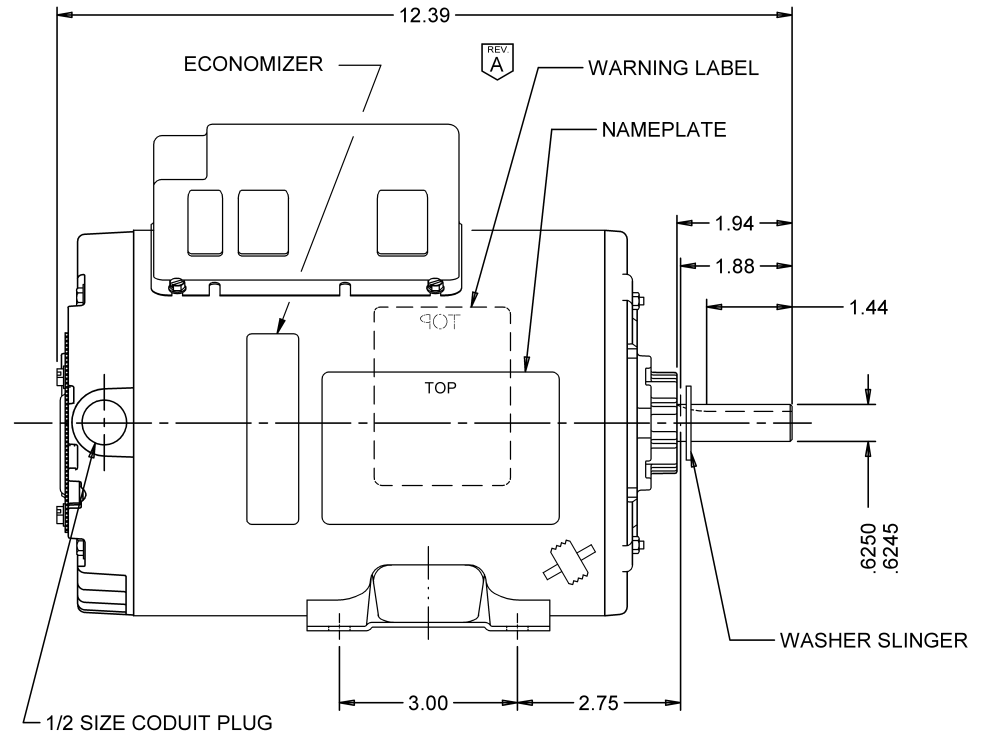
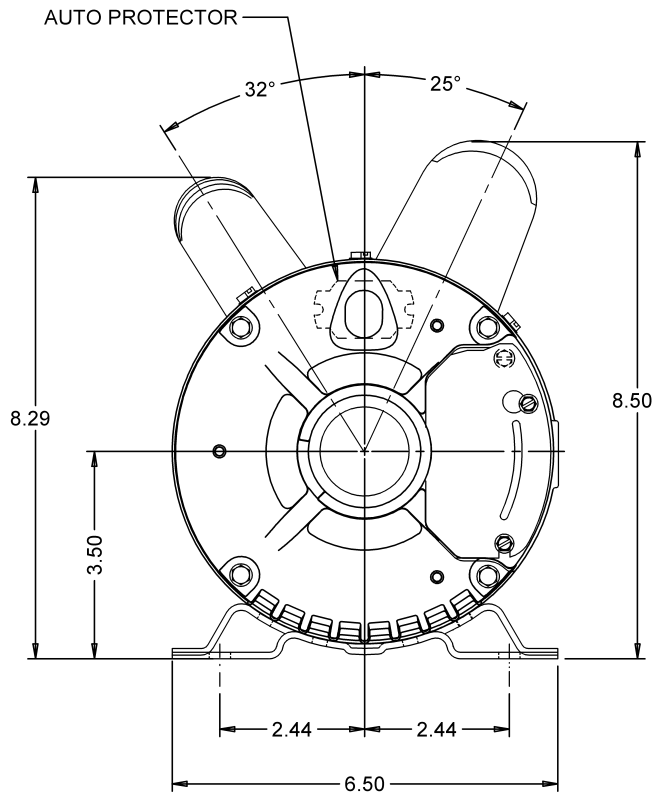


SHAFT KEY TAPED TO MOTOR



NOTES:

1. .19 X .19 X 1.38 KEY, SHIPPED WITH MOTOR.

MODEL	REF	CUSTOMER	HP	VOLTS	AMPS	HZ	RPM	ROTATION	CUSTOMER PN	
T63ZZBLN-1896	M31121	USEM	1	115/208-230	10.9/5.4-5.4	60	1725	CCW LEAD END REV.	FD1CA2J	
SHEET NUMBER	REV	REVISION RECORD FOR: C4675-00							<p>NIDEC MOTOR CORPORATION</p> <p>INFORMATION DISCLOSED ON THIS DOCUMENT IS CONSIDERED PROPRIETARY AND SHALL NOT BE REPRODUCED OR DISCLOSED WITHOUT WRITTEN CONSENT OF NIDEC MOTOR CORPORATION</p> <p>ALL DIMENSIONS ARE FOR REFERENCE ONLY UNLESS TOLERANCE IS GIVEN</p>	
1 OF 1	A	CHANGED POSITION OF WARNING LABEL								
REVISION DATE										
11-NOV-11										
ISSUED BY	REVIEWED BY	ENGINEER APPROVED	TITLE				CODE	ITEM NO.	SIZE	
A. SANCHEZ	B. CAMMACK	B. CAMMACK	ASSEMBLED VIEW				V01	782875	B	

NIDEC MOTOR CORPORATION 11-Nov-11