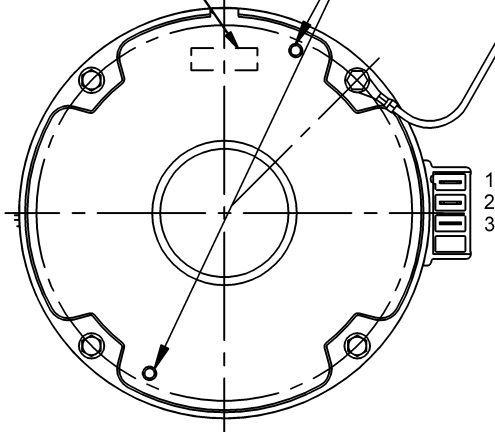


#16 GREEN / YELLOW GROUND LEAD TO BE 6.000±.250 BETWEEN CENTERS OF TERMINALS.

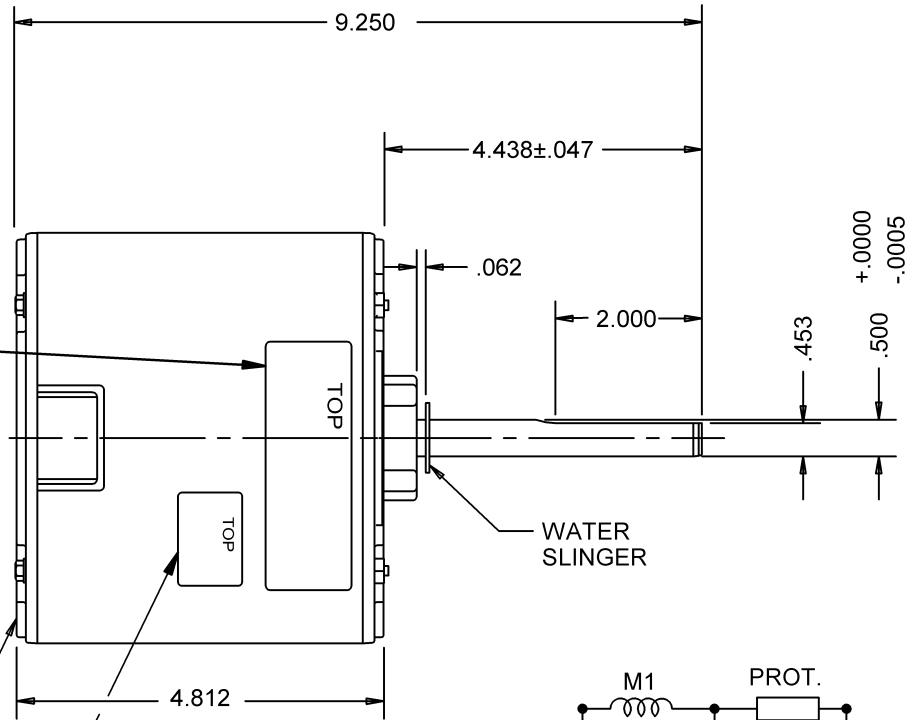
REV B

(2) DRAIN HOLES AND PLUGS

AUTOMATIC THERMAL PROTECTOR



TERMINAL TO FIT 5/16" STUD AMP #42752-2 OR EQUIV.



NAMEPLATE

WATER SLINGER

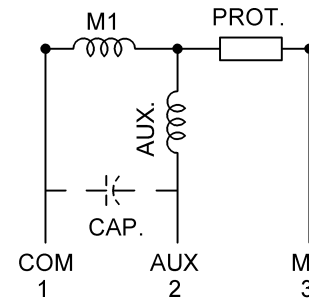
ENCLOSED ENDSHIELD (BOTH ENDS)

DRAIN PLUG INSTRUCTION LABEL

REV B

CONNECTIONS

- #1 - COMMON
- #2 - CAP
- #3 - HIGH



NIDEC MOTOR CORPORATION 12-Jun-13

MODEL	REF	CUSTOMER	HP	VOLTS	AMPS	HZ	RPM	ROTATION	CUSTOMER PN
K55HXDVA-1265	A33542	WHOLESALE HAC	1/3	208/230		60	1075	C.C.W.LEAD END	LX7928

SHEET NUMBER	REV	REVISION RECORD FOR: C7781-30	
1 OF 1	B	ADDED DRAIN PLUG VIEWS.	
		ADDED DRAIN PLUG INTRUCTION LABEL.	
REVISION DATE			
12-JUN-13			
ISSUED BY	B. RUIZ	REVIEWED BY	N. CALVIN
		ENGINEER APPROVED	B.GAITAN

INFORMATION DISCLOSED ON THIS DOCUMENT IS CONSIDERED PROPRIETARY AND SHALL NOT BE REPRODUCED OR DISCLOSED WITHOUT WRITTEN CONSENT OF NIDEC MOTOR CORPORATION

**NIDEC MOTOR CORPORATION**

ALL DIMENSIONS ARE FOR REFERENCE ONLY UNLESS TOLERANCE IS GIVEN

TITLE	CODE	ITEM NO.	SIZE
ASSEMBLED VIEW	V01	788898	A