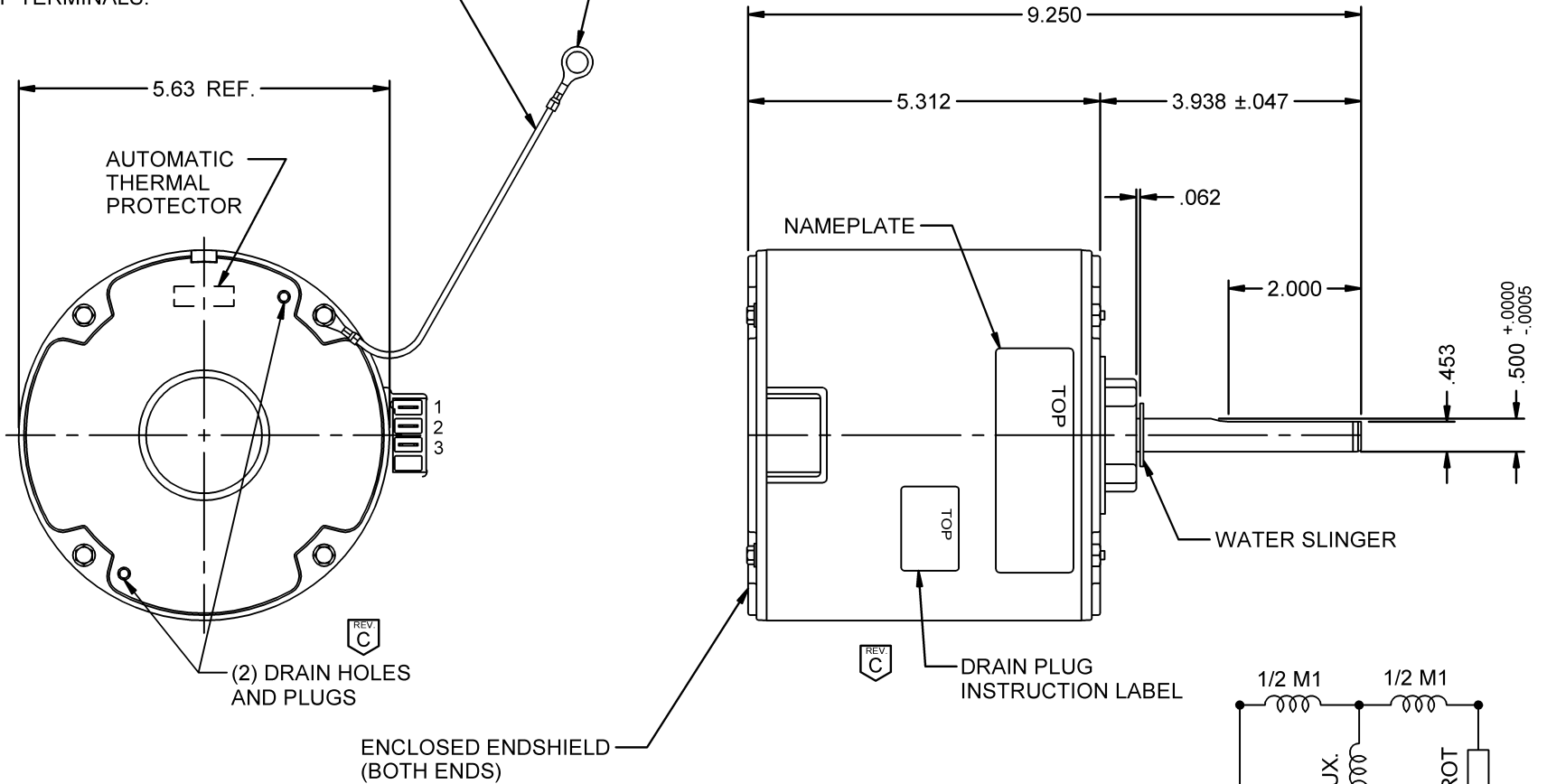


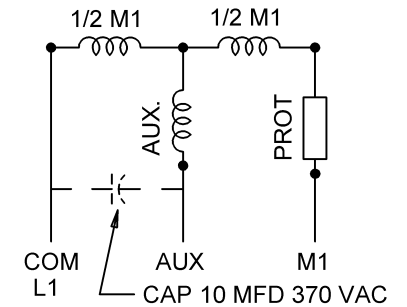
#16 GREEN/YELLOW GROUND LEAD TO BE 6.000 ±.250 BETWEEN CENTERS OF TERMINALS.

TERMINAL TO FIT 5/16" STUD AMP #42752-2 OR EQUIVALENT



CONNECTIONS

- #1 - COMMON
- #2 - CAP
- #3 - HIGH



NIDEC MOTOR CORPORATION 12-Jun-13

MODEL	REF	CUSTOMER	HP	VOLTS	AMPS	HZ	RPM	ROTATION	CUSTOMER PN
K55HXDUU-1260	A-33510	WHOLESALE HAC	1/3	460/380-420	1.3	60/50	1075	CCW LEAD END	LX7922

SHEET NUMBER	REV	REVISION RECORD FOR: C7781-30			
1 OF 1	C	ADDED DRAIN PLUG VIEWS AND NOTE.			
		ADDED DRAIN INSTRUCTION LABEL.			
REVISION DATE					
12-JUN-13					
ISSUED BY	B. RUIZ	REVIEWED BY	N. CALVIN	ENGINEER APPROVED	B. GAITAN

INFORMATION DISCLOSED ON THIS DOCUMENT IS CONSIDERED PROPRIETARY AND SHALL NOT BE REPRODUCED OR DISCLOSED WITHOUT WRITTEN CONSENT OF NIDEC MOTOR CORPORATION

ALL DIMENSIONS ARE FOR REFERENCE ONLY UNLESS TOLERANCE IS GIVEN

TITLE	CODE	ITEM NO.	SIZE
ASSEMBLED VIEW	V01	788932	A

NIDEC MOTOR CORPORATION	