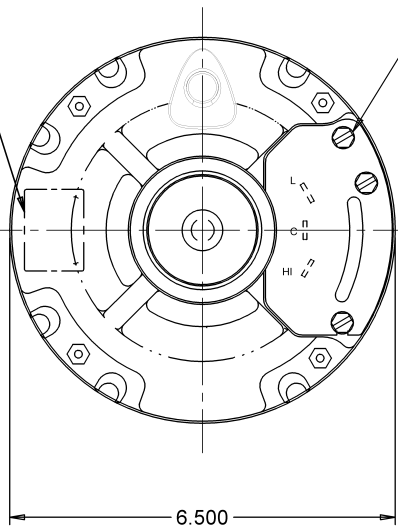


AUTOMATIC  
THERMAL  
PROTECTOR

GREEN  
GROUND  
SCREW



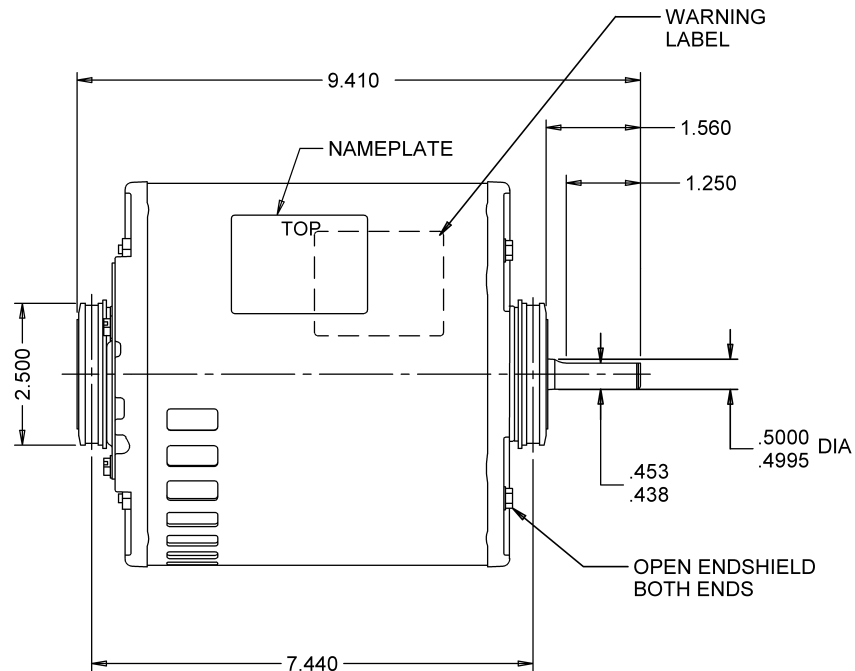
CONNECTIONS

L LOW SPEED

C COMMON

H HIGH SPEED

MOTOR IS NON-REVERSIBLE  
CW. ROTATION SHAFT END.



BALL BEARING

MODEL	REF	CUSTOMER	HP	VOLTS	AMPS	HZ	RPM	ROTATION	CUSTOMER PN	
S63NTSSE-8079		STANDARD	1/3 / 1/9	115	5.5/3.9	60	1725/1140	CCW LEAD END	6767	
SHEET NUMBER 1 OF 1	REV --	REVISION RECORD FOR: C3509-00				INFORMATION DISCLOSED ON THIS DOCUMENT IS CONSIDERED PROPRIETARY AND SHALL NOT BE REPRODUCED OR DISCLOSED WITHOUT WRITTEN CONSENT OF NIDEC MOTOR CORPORATION			NIDEC MOTOR CORPORATION	
NEW DRAWING CREATED										
REVISION DATE 22-SEP-11										
ALL DIMENSIONS ARE FOR REFERENCE ONLY UNLESS TOLERANCE IS GIVEN										
ISSUED BY L.GARZA		REVIEWED BY C.ROESSLER		ENGINEER APPROVED C.ROESSLER		TITLE ASSEMBLED VIEW		CODE V01	ITEM NO. 789035	SIZE B

NIDEC MOTOR CORPORATION 06-Oct-11

V01\_NMC9 (MAR-2011)

SOLIDEDGE