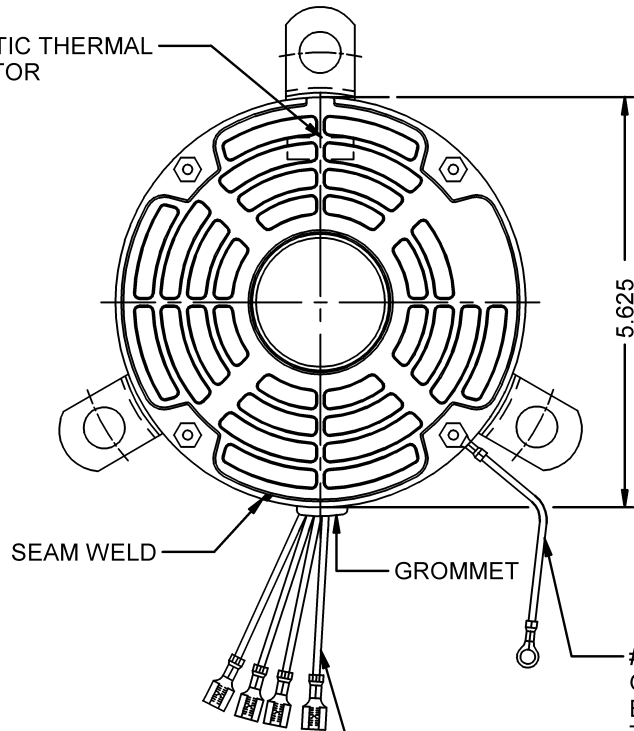


AUTOMATIC THERMAL PROTECTOR

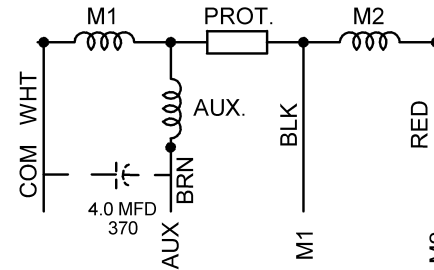
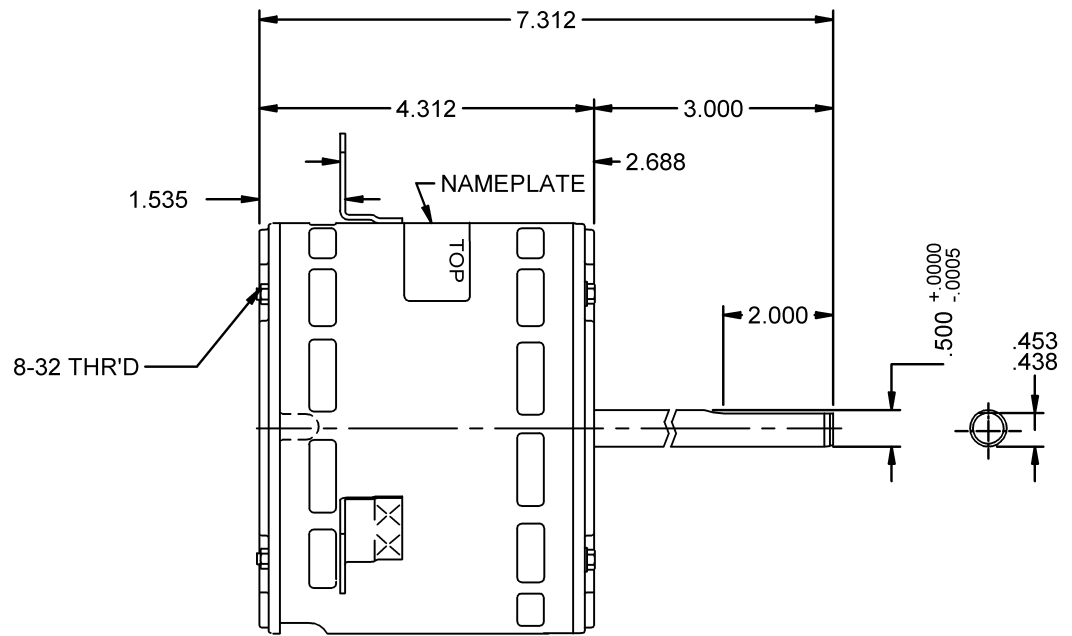


SEAM WELD

GROMMET

#18 GREEN/YELLOW STRIPES
GROUND LEAD TO BE 15.000±1.000
BETWEEN CENTERS OF TERMS.
TERMINALS TO FIT .250 EYELET

(4) LEADS #18, 2/64 THICK TO
EXTEND BEYON MOTOR:
BRN=45.000±2.000, WHITE=45.000 +2 -0,
BLACK=45.000 +2 -0 RED=45.000 +2 -0
WITH 1/4 STRAIGHT Q.C.
TERMINALS AMP # 521367-2



NIDEC MOTOR CORPORATION 12-Nov-12

MODEL	REF	CUSTOMER	HP	VOLTS	AMPS	HZ	RPM	ROTATION	CUSTOMER PN
K55HXKNC-0221	A31731-4	WHOLESALE - HAC	1/3	208-230	2.5	60	1075/2 SPD	CW LEAD END	CA3410

SHEET NUMBER	REV	REVISION RECORD FOR: C6403-01	
1 OF 1	B	UPDATED "ENGINEER APPROVED" TO B. GAITAN	
REVISION DATE			
12-NOV-12			
ISSUED BY	REVIEWED BY	ENGINEER APPROVED	REV
B. ANDRADE	M. LARGENT	B. GAITAN	B

INFORMATION DISCLOSED ON THIS DOCUMENT IS CONSIDERED PROPRIETARY AND SHALL NOT BE REPRODUCED OR DISCLOSED WITHOUT WRITTEN CONSENT OF NIDEC MOTOR CORPORATION	
ALL DIMENSIONS ARE FOR REFERENCE ONLY UNLESS TOLERANCE IS GIVEN	
TITLE	CODE
ASSEMBLED VIEW	V01
ITEM NO.	SIZE
790338	A

NIDEC MOTOR CORPORATION	
ALL DIMENSIONS ARE FOR REFERENCE ONLY UNLESS TOLERANCE IS GIVEN	
TITLE	CODE
ASSEMBLED VIEW	V01
ITEM NO.	SIZE
790338	A