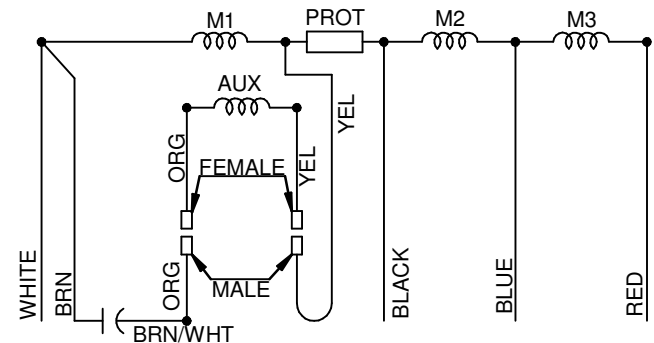
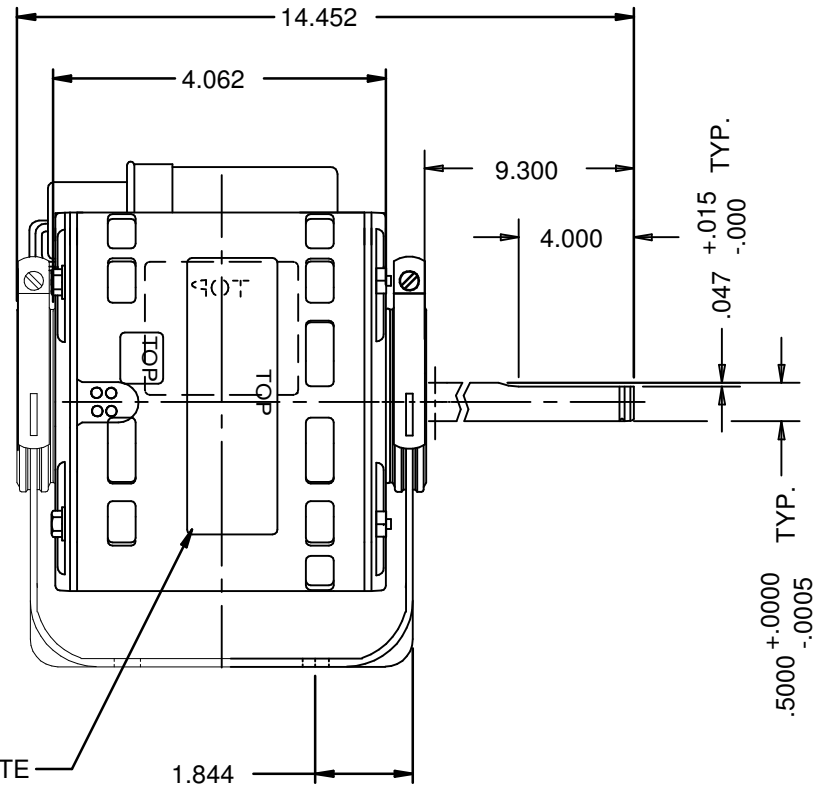


4 LEADS, #18, .031 THICK INSUL. TO EXTEND BEYOND MOTOR. WHITE=41.000+3-0, BLACK=41.000+3-0 BLUE=41.000+3-0, RED=41.000+3-0 SKIN 1/2.

#16, GRN/YEL GRD LEAD TO BE 6.000±.250 BETWEEN CENTERS OF TERMS., TERM. TO FIT # 10 SCREW.

ROTATION IS COUNTER CLOCKWISE VIEWING LEAD END WITH ORG TO ORG & YEL TO YEL. TO REVERSE ROTATION INTERCHANGE ORG & YEL LEADS



NIDEC MOTOR CORPORATION 13-Jun-13

MODEL	REF	CUSTOMER	HP	VOLTS	AMPS	HZ	RPM	ROTATION	CUSTOMER PN
K48HXDSJ-0221	A33532	NIDEC MOTOR CANADA CORPORATION	1/20	115	1.0	60	1100/3 SPD	CCW LEAD END - REV	1175
REVISION RECORD FOR: C7812-00			INFORMATION DISCLOSED ON THIS DOCUMENT IS CONSIDERED PROPRIETARY AND SHALL NOT BE REPRODUCED OR DISCLOSED WITHOUT WRITTEN CONSENT OF NIDEC MOTOR CORPORATION ALL DIMENSIONS ARE FOR REFERENCE ONLY UNLESS TOLERANCE IS GIVEN						
SHEET NUMBER	REV	UPDATED DIM. LEADS OF REVERSING ROTATION							
1 OF 1	B								
REVISION DATE									
13-JUN-13			TITLE				CODE	ITEM NO.	SIZE
ISSUED BY	REVIEWED BY	ENGINEER APPROVED	ASSEMBLED VIEW				V01	793014	A
F. MARTINEZ	B. GAITAN	J. I. SALAZAR							