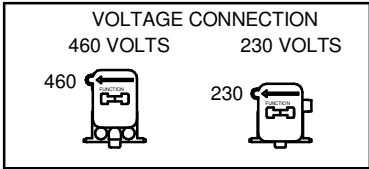
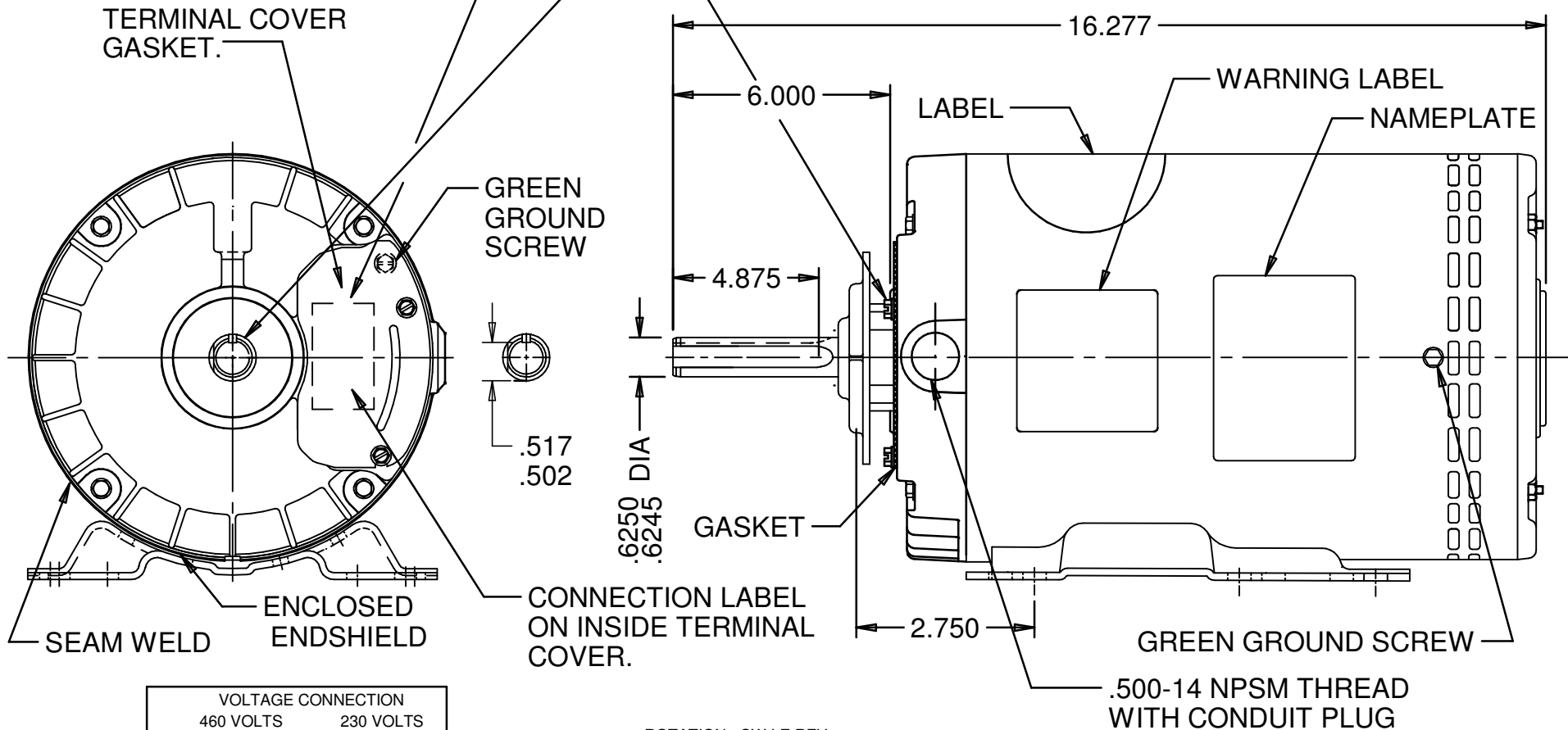


THERMOSTAT LEADS TO EXTEND 4.0 + 2.0 INCHES BEYOND TERMINAL OPENING IN ENDSHIELD.

GROUND RING INSTALLED IN ENDSHIELD

SHAFT KEY TAPED TO MOTOR



ROTATION: CW LE REV.  
WHEN PHASED AS SHOWN.

- L1 -- PHASE A
- L2 -- PHASE B
- L3 -- PHASE C

**INVERTER DUTY-NEMA 31**

PROTECTOR  
THERMOSTATS

NIDEC MOTOR CORPORATION 27-Oct-15

MODEL	REF	CUSTOMER	HP	VOLTS	AMPS	HZ	RPM	ROTATION	CUSTOMER PN
J63WZBKH-0246		WHOLESALE- HAC	1.5	208-230/460	5.3-5.3/2.6	60	1140	REVERSIBLE	1821VG

SHEET NUMBER	REV	REVISION RECORD FOR: ECO E24168
1 OF 1	C	ADDED GREEN GROUND SCREW.
REVISION DATE		
27-OCT-15		

INFORMATION DISCLOSED ON THIS DOCUMENT IS CONSIDERED PROPRIETARY AND SHALL NOT BE REPRODUCED OR DISCLOSED WITHOUT WRITTEN CONSENT OF NIDEC MOTOR CORPORATION

**NIDEC MOTOR CORPORATION**

ISSUED BY <b>A. SAUCEDO</b>	REVIEWED BY <b>A. LOZANO</b>	ENGINEER APPROVED <b>B. GAITAN</b>
--------------------------------	---------------------------------	---------------------------------------

TITLE <b>ASSEMBLED VIEW</b>		CODE <b>V01</b>	ITEM NO. <b>794269</b>	SIZE <b>A</b>
--------------------------------	--	--------------------	---------------------------	------------------