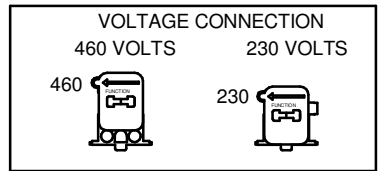
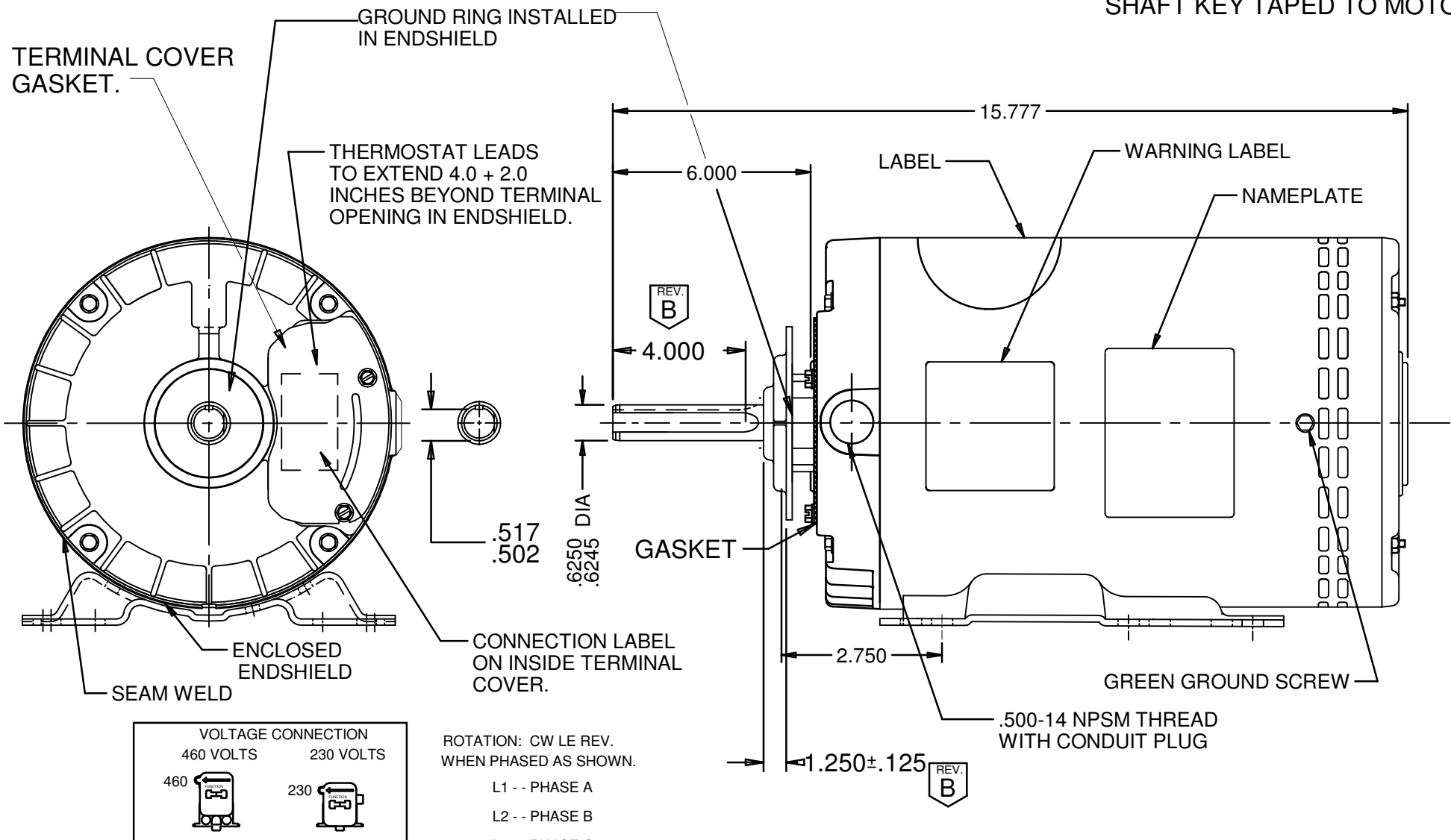


SHAFT KEY TAPED TO MOTOR



ROTATION: CW LE REV.
WHEN PHASED AS SHOWN.

- L1 -- PHASE A
- L2 -- PHASE B
- L3 -- PHASE C

INVERTER DUTY-NEMA 31

PROTECTOR
THERMOSTATS

NIDEC MOTOR CORPORATION 10-Mar-16

MODEL	REF	CUSTOMER	HP	VOLTS	AMPS	HZ	RPM	ROTATION	CUSTOMER PN
J63WZBKG-0245		WHOLESALE- HAC	1	208-230/460	4.3-4.3/2.1	60	1140	REVERSIBLE	1820VG

SHEET NUMBER	REV	REVISION RECORD FOR: E25106		
1 OF 1	B	ADDED DIM. AND UPDATED DIM.		
REVISION DATE				
11-MAR-16				
ISSUED BY	REVIEWED BY	ENGINEER APPROVED		
I. NUÑEZ	J. SALAZAR	B. GAITAN		

INFORMATION DISCLOSED ON THIS DOCUMENT IS CONSIDERED PROPRIETARY AND SHALL NOT BE REPRODUCED OR DISCLOSED WITHOUT WRITTEN CONSENT OF NIDEC MOTOR CORPORATION

NIDEC MOTOR CORPORATION

ALL DIMENSIONS ARE FOR REFERENCE ONLY UNLESS TOLERANCE IS GIVEN			
TITLE	CODE	ITEM NO.	SIZE
ASSEMBLED VIEW	V01	794325	A