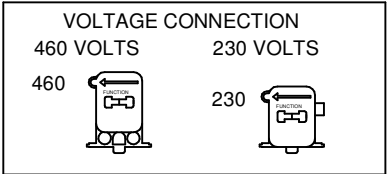
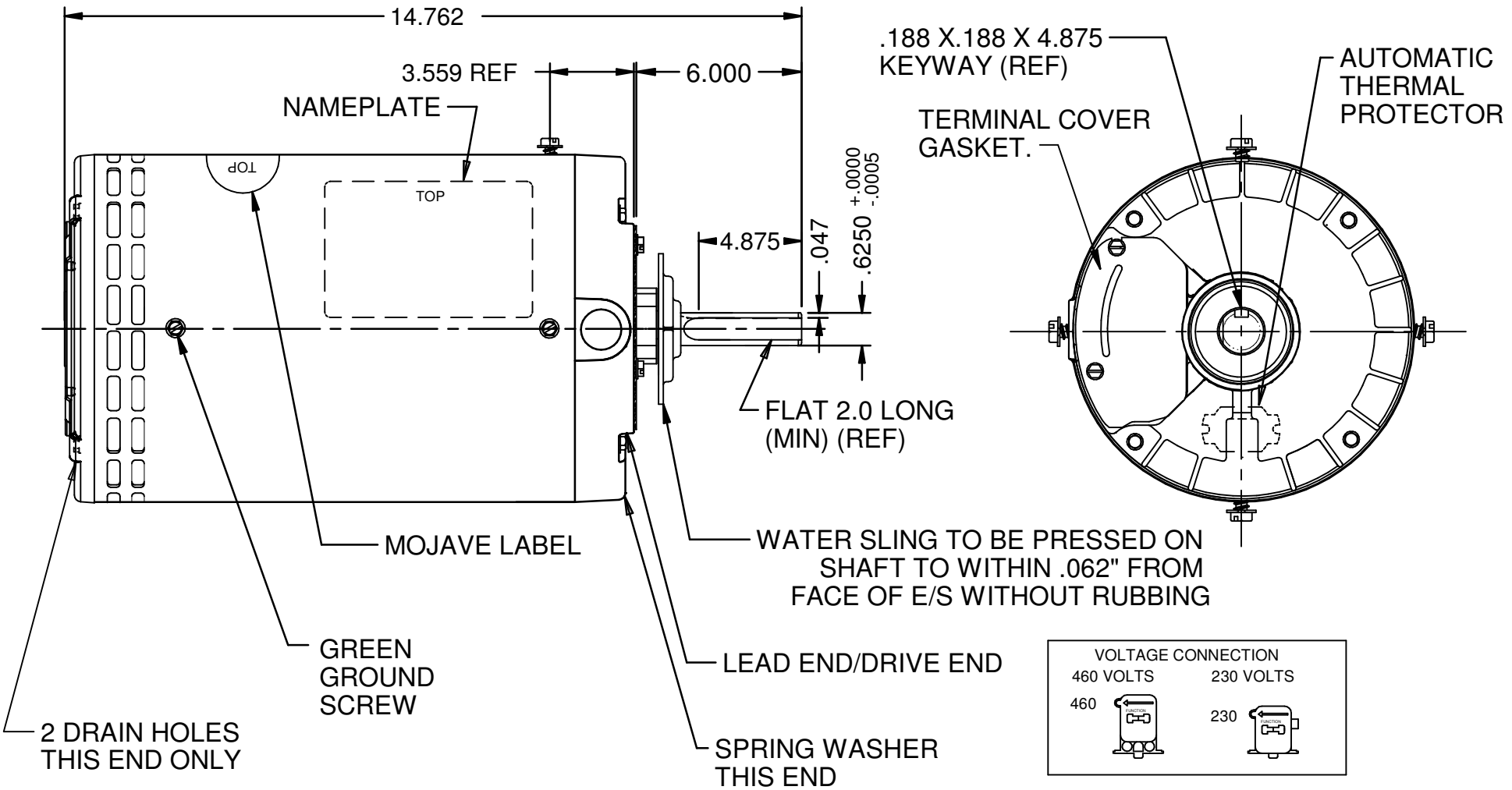


REV. J

SHAFT KEY TAPED TO MOTOR



L1 -- LINE 1  
L2 -- LINE 2  
L3 -- LINE 3

PROTECTOR
<b>AUTO</b>

NIDEC MOTOR CORPORATION 16-Aug-17

MODEL	REF	CUSTOMER	HP	VOLTS	AMPS	HZ	RPM	ROTATION	CUSTOMER PN
P63SYELS-5030	C35414	WHOLESALE-HAC	1.0	208-230/460	4.2/2.1	60	1140	REVERSIBLE	1818H

SHEET NUMBER	REV	REVISION RECORD FOR: ECO E29445
1 OF 1	J	CHANGED DIMENSION OF MOTOR FROM 14.667 TO 14.762
REVISION DATE	16-AUG-17	

INFORMATION DISCLOSED ON THIS DOCUMENT IS CONSIDERED PROPRIETARY AND SHALL NOT BE REPRODUCED OR DISCLOSED WITHOUT WRITTEN CONSENT OF NIDEC MOTOR CORPORATION

**NIDEC MOTOR CORPORATION**

ISSUED BY <b>C.ALMAGUER</b>	REVIEWED BY <b>A.LOZANO</b>	ENGINEER APPROVED <b>T.BOSSALLER</b>
--------------------------------	--------------------------------	---

TITLE <b>ASSEMBLED VIEW</b>		CODE <b>V01</b>	ITEM NO. <b>794773</b>	SIZE <b>A</b>
--------------------------------	--	--------------------	---------------------------	------------------