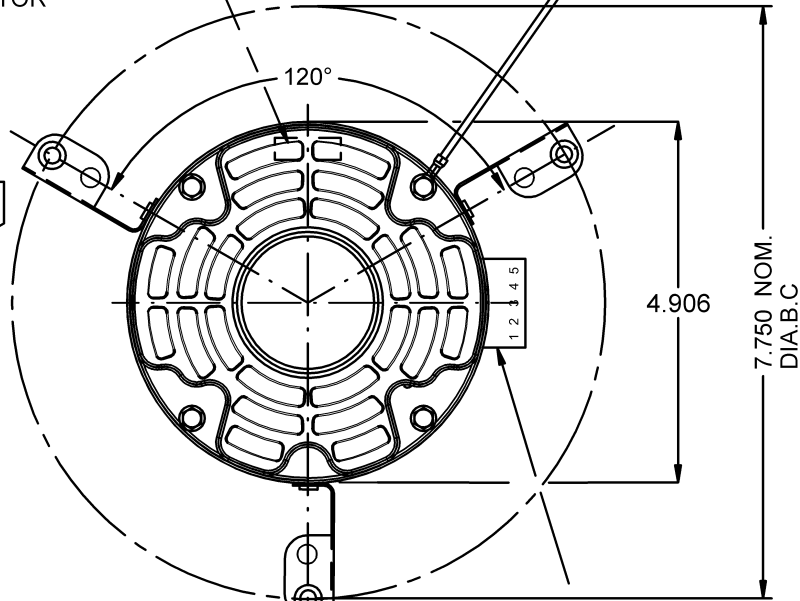


AUTOMATIC THERMAL PROTECTOR

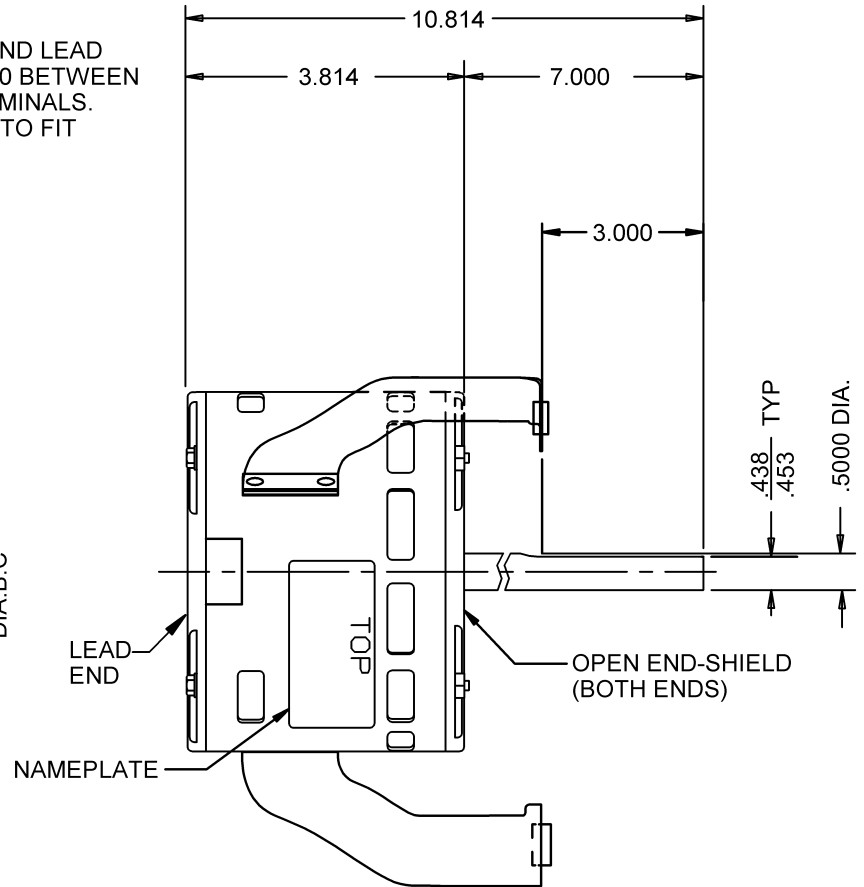
REV. A

GROMMET & EYELET IN EACH BRACKET

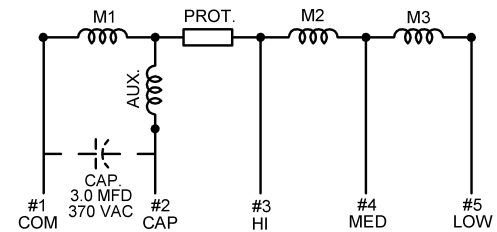


#16 GREEN GROUND LEAD TO BE 12.000±1.000 BETWEEN CENTERS OF TERMINALS. SERRATED TERM TO FIT #10 SCREW.

RECEPTACLE WITH (5) .250 MALE Q.C. TERMINALS



CAPACITOR ACROSS TERMINALS #1 & #2



NIDEC MOTOR CORPORATION 07-Jun-13

MODEL	REF	CUSTOMER	HP	VOLTS	AMPS	HZ	RPM	ROTATION	CUSTOMER PN	
K48HXCMG-1186	C34478	WHOLESALE-HAC	1/20	277	.42	60	1100/3 SPD	C.C.W. LEAD END	1264	
SHEET NUMBER 1 OF 1	REV A	REVISION RECORD FOR: C7771-00			INFORMATION DISCLOSED ON THIS DOCUMENT IS CONSIDERED PROPRIETARY AND SHALL NOT BE REPRODUCED OR DISCLOSED WITHOUT WRITTEN CONSENT OF NIDEC MOTOR CORPORATION				NIDEC MOTOR CORPORATION	
CHANGED VIEW OF FLEXIBLE BRACKET.										
REVISION DATE	07-JUN-13									
ISSUED BY A. SANCHEZ				REVIEWED BY N. CALVIN		ENGINEER APPROVED N. CALVIN		ALL DIMENSIONS ARE FOR REFERENCE ONLY UNLESS TOLERANCE IS GIVEN		
TITLE ASSEMBLED VIEW							CODE V01	ITEM NO. 795322	SIZE A	