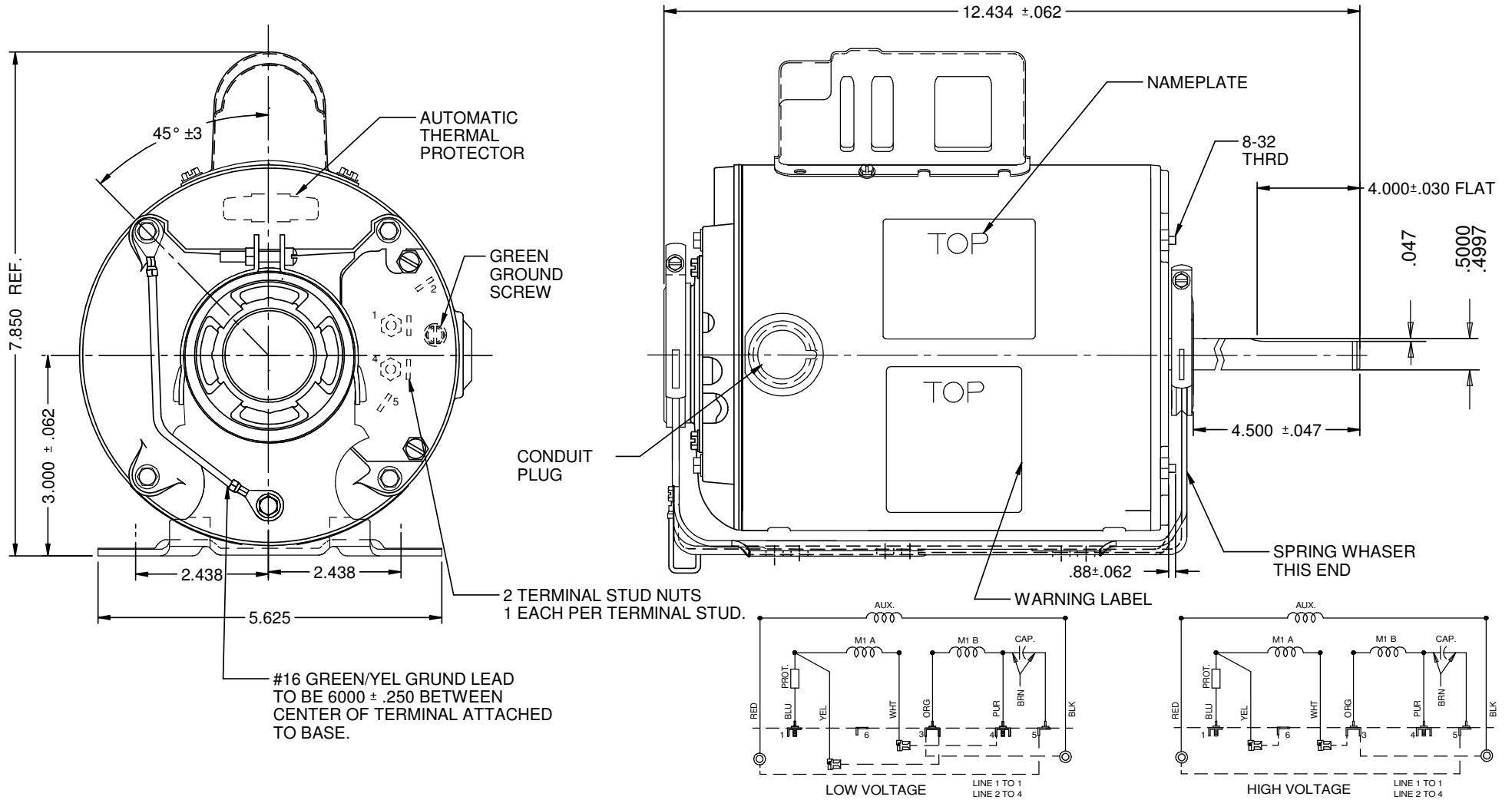


MODEL	REF	CUSTOMER	HP	VOLTS	AMPS	HZ	RPM	ROTATION	CAT. NO.	DESCRIPTION / REMARKS
K55HXRJM-1992	C40205	NIDEC MOTOR CANADA	1/4	115/230	3.5/1.8	60	1140	C.CW. LEAD END REV	1191	



NIDEC MOTOR CORPORATION 04-Feb-15

REVISION RECORD FOR:	JC 69348
CREATED NEW DRAWING.	
ISSUED BY:	F. MARTINEZ
ENGINEER APPROVED:	B. GAITAN

TOLERANCES ON DIMENSIONS (UNLESS OTHERWISE SPECIFIED)	
INCHES .XX = ±.010 .XXX = ±.005	mm
ANGLES X° = ±1°	

<b>NIDEC MOTOR CORPORATION</b>			
INFORMATION DISCLOSED ON THIS DOCUMENT IS CONSIDERED PROPRIETARY AND SHALL NOT BE REPRODUCED OR DISCLOSED WITHOUT WRITTEN CONSENT OF NIDEC MOTOR CORPORATION			
TITLE		CODE	REVISION DATE:
CUSTOMER DETAIL DRAWING		V02	<b>26-JAN-15</b>
ITEM NO.	REV	SHEET NUMBER	DWG SIZE
<b>803911</b>	--	1 OF 4	<b>B</b>