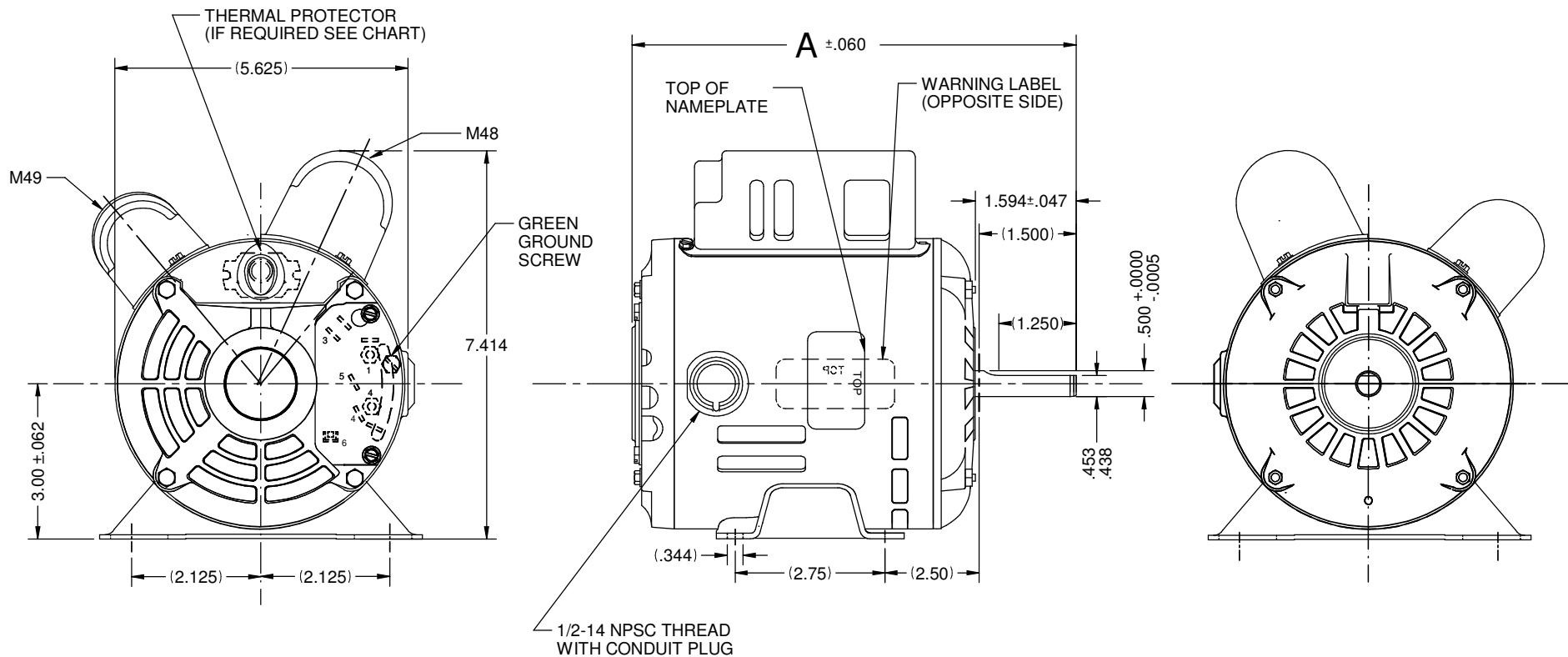


VAR	MODEL	CUSTOMER	CAT. NO.	A	B	C	D	HP	VOLTS	SF	AMPS	HZ	RPM	CONN VOLTS	PROT.	DESCRIPTION / REMARKS
001	T55CRL-1540	USEM	D14CP2P4	9.10	-----	-----	-----	1/4	115/230	1.35	3.1/1.5	60	1725		NONE	N48, ODP



NIDEC MOTOR CORPORATION 02-Jul-15      MOTOR IS CCW ROTATION LEAD END, TO REVERSE ROTATION INTERCHANGE RED AND BLACK LEADS      REFER TO S.E.I.M. 24-1

REVISION RECORD FOR: ECO - E23269		TOLERANCES ON DIMENSIONS (UNLESS OTHERWISE SPECIFIED)		<b>NIDEC MOTOR CORPORATION</b>				REVISION DATE: 02-JUL-15	
CHANGED VIEW OF COVER CAPACITOR IN PAGE #2 AND ADDED DIMENSION OF HEIGHTH.				INFORMATION DISCLOSED ON THIS DOCUMENT IS CONSIDERED PROPRIETARY AND SHALL NOT BE REPRODUCED OR DISCLOSED WITHOUT WRITTEN CONSENT OF NIDEC MOTOR CORPORATION				REV A	
		INCHES .XX = ± .010 .XXX = ± .005		mm		TITLE		SHEET NUMBER	
ISSUED BY: A. DEL ANGEL		ENGINEER APPROVED: J. I. SALAZAR		ANGLES X° = ±1°		CUSTOMER DETAIL DRAWING		1 OF 4	
						CODE V02		DWG SIZE B	
						ITEM NO. 804641		SOLIDEDGE	