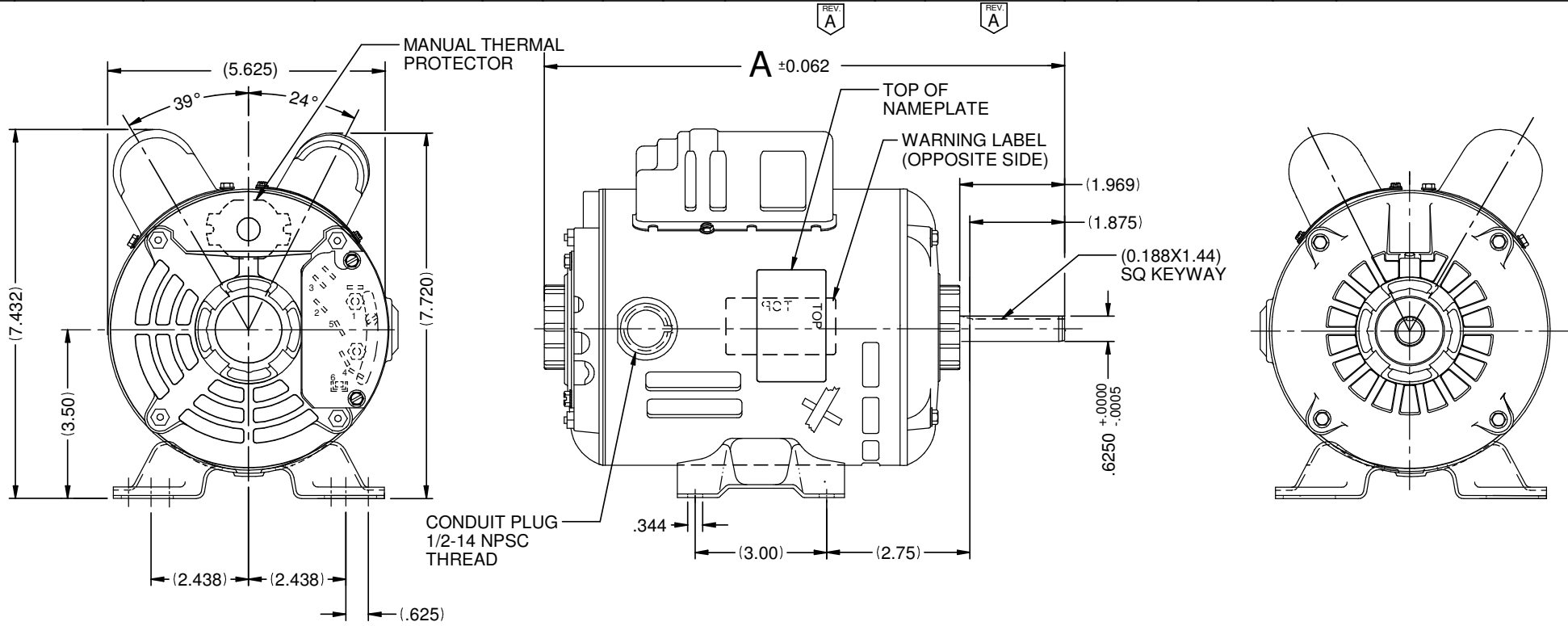


VAR	MODEL	CUSTOMER	CAT. NO.	A	B	C	D	HP	VOLTS	SF	AMPS	HZ	RPM	CONN VOLTS	PROT.	DESCRIPTION / REMARKS
001	T55KXCPA-1506	WHOLESALE - HAC	D13CPM2P	10.282	--	--	--	1/3	115/208-230	1.35	3.9/2.0-1.9	60	1725	230	MANUAL	N56, ODP, CCW LEAD END REV.



NIDEC MOTOR CORPORATION 13-Mar-17

REFER TO S.E.I.M. 24-1

REVISION RECORD FOR: ECO E28246	
UPDATED VOLTS AND AMPS ON PAGES 1 & 2.	
ISSUED BY: G. MEDINA	ENGINEER APPROVED: T. BOSSALLER

TOLERANCES ON DIMENSIONS (UNLESS OTHERWISE SPECIFIED)	
INCHES .XX = ± .010 .XXX = ± .005	mm
ANGLES X° = ± 1°	

NIDEC MOTOR CORPORATION			
INFORMATION DISCLOSED ON THIS DOCUMENT IS CONSIDERED PROPRIETARY AND SHALL NOT BE REPRODUCED OR DISCLOSED WITHOUT WRITTEN CONSENT OF NIDEC MOTOR CORPORATION			
TITLE		CODE	ITEM NO.
CUSTOMER DETAIL DRAWING		V02	804704
REVISION DATE:	REV	SHEET NUMBER	DWG SIZE
13-MAR-17	A	1 OF 4	B

V02_NMCB (MAR-2014)

SOLIDEDGE