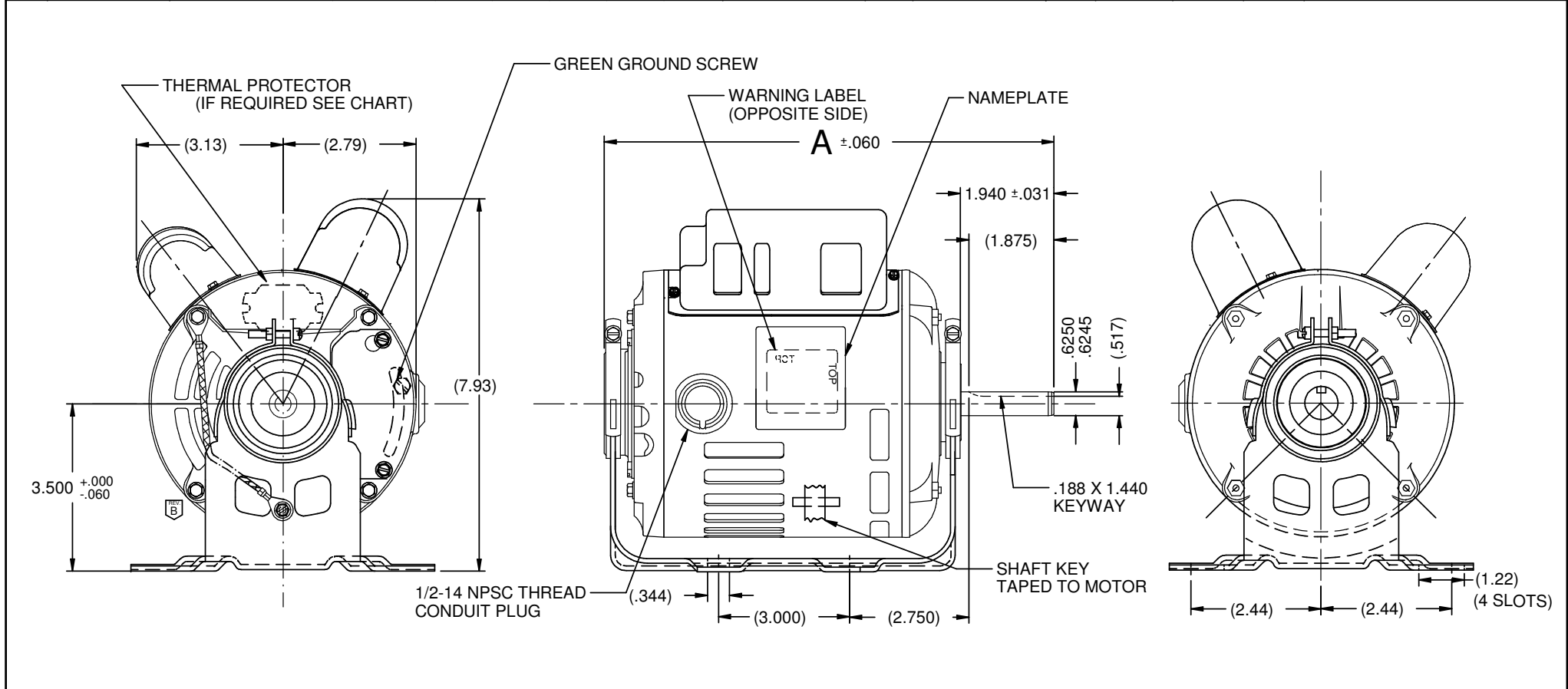


VAR	MODEL	CUSTOMER	CAT. NO.	A	B	C	D	HP	VOLTS	SF	AMPS	HZ	RPM	CONN VOLTS	PROT.	DESCRIPTION / REMARKS
001	T55CRM-1541	USEM	D14CP2P9	10.308	--	--	--	1/4	115/230	1.35	3.1/1.5	60	1725	115	NONE	N56, ODP
002	T55JXCRW-1549	USEM	D14CPA2P9	10.308	--	--	--	1/4	115/230	1.35	3.1/1.5	60	1725	230	AUTO	N56, ODP



NIDEC MOTOR CORPORATION 25-Oct-17 REFER TO S.E.I.M. 24-1

REVISION RECORD FOR: ECO E29755 CHANGE DRAWING TO SHOW THAT THE GROUND WIRE IS ROUTED FROM INSIDE THE BASE		TOLERANCES ON DIMENSIONS (UNLESS OTHERWISE SPECIFIED) INCHES .XX = ± .010 .XXX = ± .005 mm ANGLES X° = ± 1°		NIDEC MOTOR CORPORATION INFORMATION DISCLOSED ON THIS DOCUMENT IS CONSIDERED PROPRIETARY AND SHALL NOT BE REPRODUCED OR DISCLOSED WITHOUT WRITTEN CONSENT OF NIDEC MOTOR CORPORATION				REVISION DATE: 26-OCT-17	
ISSUED BY: J. ALVARADO	ENGINEER APPROVED: R. CRUZ			TITLE CUSTOMER DETAIL DRAWING	CODE V02	ITEM NO. 804709	REV B	SHEET NUMBER 1 OF 4	DWG SIZE B