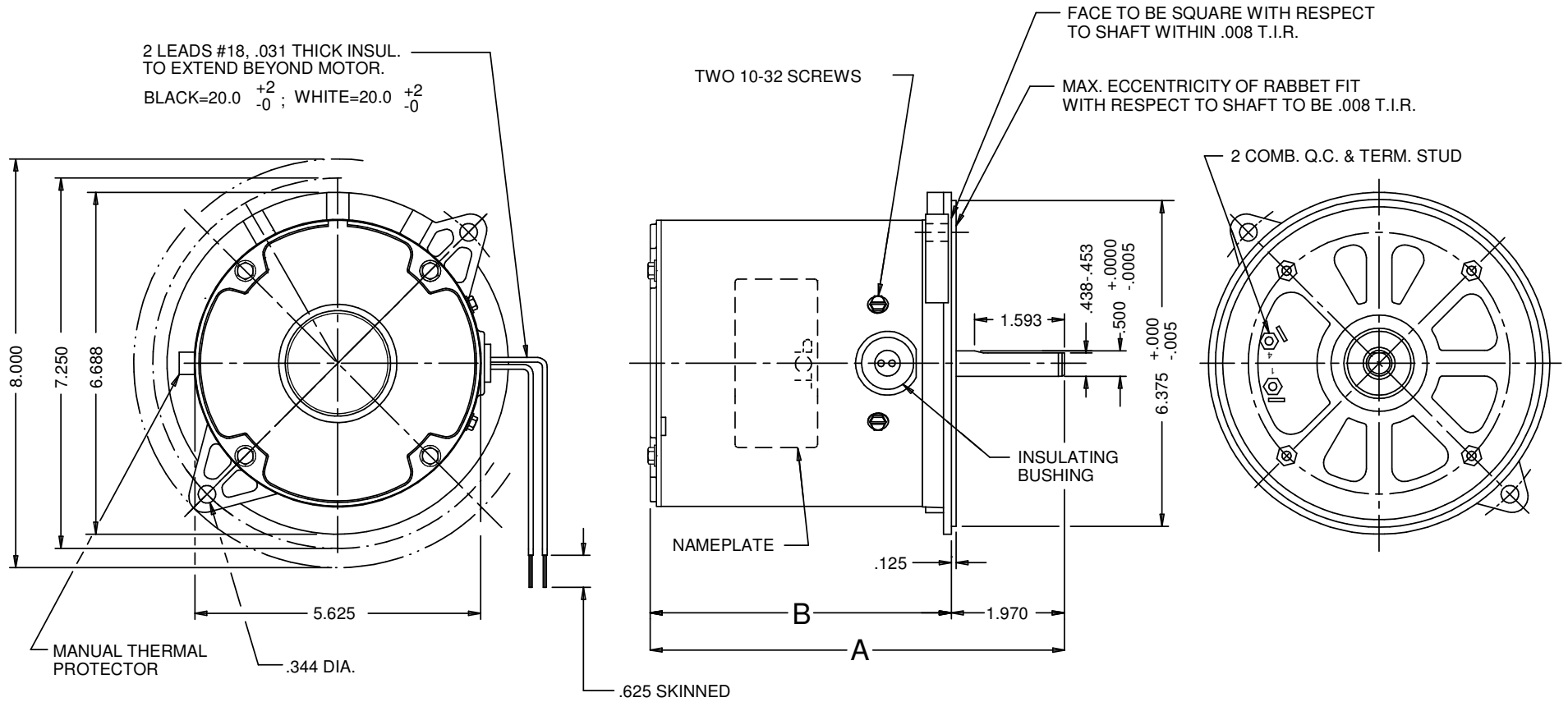


VAR	MODEL	CUSTOMER	CAT. NO.	A	B	C	D	HP	VOLTS	SF	AMPS	HZ	RPM	CONN VOLTS	PROT.	DESCRIPTION / REMARKS
001	SD55VWSBB-4526	WHOLESALE - HAC	2302	9.070	7.090	-----	-----	1/4	115	1.0	3.7	60	3450	--	MANUAL	--



NIDEC MOTOR CORPORATION 07-Apr-15

ROTATION: CCW LE REV

REFER TO S.E.I.M. 24-1

CREATED DRAWING	REVISION RECORD FOR: JC 69695
ISSUED BY: N. MARTINEZ	ENGINEER APPROVED: T. JOHNSON

TOLERANCES ON DIMENSIONS (UNLESS OTHERWISE SPECIFIED)	
INCHES .XX = ± .010 .XXX = ± .005	mm
ANGLES X° = ±1°	

NIDEC MOTOR CORPORATION			
INFORMATION DISCLOSED ON THIS DOCUMENT IS CONSIDERED PROPRIETARY AND SHALL NOT BE REPRODUCED OR DISCLOSED WITHOUT WRITTEN CONSENT OF NIDEC MOTOR CORPORATION			REVISION DATE: 10-APR-15
TITLE CUSTOMER DETAIL DRAWING	CODE V02	ITEM NO. 804781	REV --
SHEET NUMBER 1 OF 4		DWG SIZE B	SOLIDEDGE