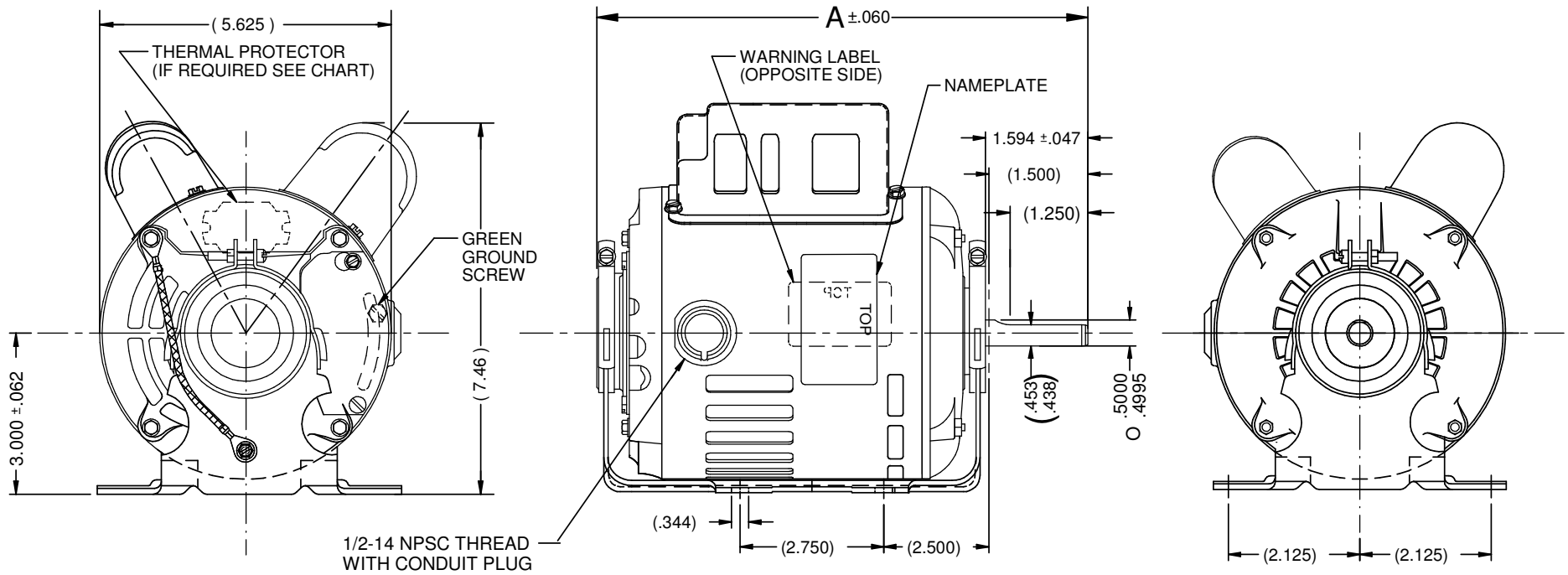


VAR	MODEL	CUSTOMER	CAT. NO.	A	B	C	D	HP	VOLTS	SF	AMPS	HZ	RPM	CONN VOLTS	PROT.	DESCRIPTION / REMARKS
001	T55JXCRZ-1551	USEM	D14CPA2P49	9.93	-----	-----	-----	1/4	115/230	1.35	3.1/1.5	60	1725	----	AUTO	RESIL. BASE ODP BALL BRG



NIDEC MOTOR CORPORATION 16-Jul-15      MOTOR IS CCW LEAD END, TO REVERSE ROTATION INTERCHANGE RED AND BLACK LEADS      REFER TO S.E.I.M. 24-1

CREATED DRAWING.		REVISION RECORD FOR: JC 69787		<b>NIDEC MOTOR CORPORATION</b> INFORMATION DISCLOSED ON THIS DOCUMENT IS CONSIDERED PROPRIETARY AND SHALL NOT BE REPRODUCED OR DISCLOSED WITHOUT WRITTEN CONSENT OF NIDEC MOTOR CORPORATION				REVISION DATE: <b>06-MAY-15</b>				
ISSUED BY: <b>F. GARCIA</b>		ENGINEER APPROVED: <b>T. BOSSALLER</b>						TOLERANCES ON DIMENSIONS (UNLESS OTHERWISE SPECIFIED) INCHES .XX = ± .010 .XXX = ± .005 ANGLES X° = ± 1°		TITLE: <b>CUSTOMER DETAIL DRAWING</b>		CODE: <b>V02</b>